



## DF Series Furnace

**Models DFSAD12, DFSD12, DFSD16, DFSD20, DFMD16,  
DFMD20, DFMD25, DFMD30, DFMD35, DFLD35,  
DFLD40, DFLA35, DFLA40**

INTRODUCTION .....	2
IMPORTANT SAFETY INSTRUCTIONS AND DOCUMENT SYMBOLS.....	2
GENERAL INFORMATION .....	4
PRE-INSTALLATION .....	6
INSTALLATION .....	16
TESTING .....	24
TROUBLESHOOTING .....	25
REPLACEMENT PARTS.....	25



**WARNING:**

**FIRE OR EXPLOSION HAZARD**

Failure to follow safety warnings exactly could result in serious injury, death or property damage.

- Do not store or use gasoline or other flammable vapors and liquids in the vicinity of this or any other appliance.
- **WHAT TO DO IF YOU SMELL GAS**
  - Evacuate all persons from the vehicle.
  - Shut off the gas supply at the gas container or source.
  - Do not touch any electrical switch, or use any phone or radio in the vehicle.
  - Do not start the vehicle's engine or electric generator.
  - Contact the nearest gas supplier or qualified service technician for repairs.
  - If you cannot reach a gas supplier or qualified service technician, contact the nearest fire department.
  - Do not turn on the gas supply until the gas leak(s) has been repaired.
- Installation and service must be performed by a qualified installer, service agency, or the gas supplier.



**Read these instructions carefully. These instructions MUST stay with this product.**

# INTRODUCTION

This manual is for use by an authorized service technician to install a Dometic DF Series Furnace. Should you require further information, contact Dometic. The design of the DF Series Furnace (hereinafter referred to as "Furnace") has been certified for installation in a recreational vehicle (hereinafter referred to as "RV") as an MSP Category III Furnace. Follow these instructions to ensure the correct installation of the Furnace. Failure to install the Furnace according to these installation instructions nullifies the Furnace warranty.

Dometic Corporation reserves the right to modify appearances and specifications without notice.

## IMPORTANT SAFETY INSTRUCTIONS AND DOCUMENT SYMBOLS

This manual has safety information and instructions to help you eliminate or reduce the risk of accidents and injuries.

### A. Recognize Safety Information



This is the safety alert symbol. It is used to alert you to potential physical injury hazards. Obey all safety messages that follow this symbol to avoid possible injury or death.

### B. Understand Signal Words

A signal word will identify safety messages and property damage messages, and will indicate the degree or level of hazard seriousness.

**⚠ WARNING** indicates a hazardous situation that, if **NOT** avoided, could result in death or serious injury.

**⚠ CAUTION** indicates a hazardous situation that, if **NOT** avoided, could result in minor or moderate injury.

**NOTICE** is used to address practices **NOT** related to physical injury.

**i** Indicates additional information that is not related to physical injury.

### C. Supplemental Directives



Read and follow all safety information and instructions to avoid possible injury or death.

Read and understand these instructions before installation of this product.

Incorrect installation of this product can lead to serious injury or death.

The installation **MUST** comply with all applicable local or national codes, including the latest edition of the following standards:

#### U.S.A.

- ANSI/NFPA70, National Electrical Code (NEC)
- ANSI/RVIA LV, Low Voltage Systems in Conversion and Recreational Vehicles
- ANSI/NFPA 1192, Recreational Vehicles Code
- ANSI Z223.1, NFPA 54 National Fuel Gas Code
- ANSI 1195, Park Trailers

#### CANADA

- CSA C22.1, Parts I & II, Canadian Electrical Code
- CSA Z240 RV Series, Recreational Vehicles
- CAN/CGA B149, Natural Gas and Propane Installation Code

#### FOR DFLA35 and DFLA40 Models Only

This Furnace is manufactured for use with Liquid Propane (LP) gas. A kit has been provided with the Furnace, so that a qualified service technician can convert the Furnace for use with natural gas. Any conversion to natural gas must conform with local codes, or in the absence of local codes, with the National Fuel Gas Code, ANSI Z223.1/NFPA 54 Natural Gas and Propane Installation Code, in addition to the Standard for Recreational Vehicles NFPA1192 and CSA Z240 RV Recreational Vehicle Code.

# IMPORTANT SAFETY INSTRUCTIONS AND DOCUMENT SYMBOLS

## D. General Safety Messages

**⚠ WARNING** Failure to obey the following warnings could result in property damage, serious injury, or death:

- This Furnace **MUST** be installed by a qualified service technician.
- Do **NOT** modify this Furnace in any way. Modification can be extremely hazardous.
- FIRE OR EXPLOSION HAZARD:
  - Do **NOT** store gasoline, oil- or gasoline-soaked rags, or other flammable vapors and liquids, inside storage compartment(s).
  - **BEFORE** refueling or parking near a gasoline pump, make sure **ALL** LP gas appliances (vented to the outside of the RV) are shut OFF. Otherwise, fumes from gasoline pumps could come into contact with an LP gas appliance burner flame and ignite.
  - Turn OFF LP gas supply at tank.
  - Use only with the type of gas approved for the Furnace. Refer to the Furnace rating plate.
  - Use only Dometic replacement parts and components, which are specifically approved for use with the Furnace.
- CRITICAL INSTALLATION WARNINGS:
  - Do **NOT** install this Furnace if any part has been underwater.
  - Sheet metal edges are sharp; take care when handling or touching edges.
  - Protect Furnace electrical components from water.
  - Protect building materials from degrading from vent assembly gas exhaust.
  - Compartment **MUST** be closed when operating the Furnace.
  - Do **NOT** install screens over the intake air or exhaust vents for any reason.
- CARBON MONOXIDE HAZARD:
  - This Furnace can produce carbon monoxide, which has no odor and can be life-threatening. The burner and vent assembly system **MUST** be kept clean.
  - Doors **MUST** be properly sealed and the draft cap and assemblies **MUST** be adjusted and sealed correctly to prevent carbon monoxide from entering the RV.
  - Do **NOT** allow snow or any objects to block the exhaust system of the Furnace.
  - Combustion products **MUST** be properly vented to the atmosphere and all combustion air supplied to the burner **MUST** be drawn from the outside atmosphere.
  - Use only Dometic replacement parts and components, which are specifically approved for use with the Furnace.
- ELECTRICAL SHOCK HAZARD:
  - Make sure AC power is disconnected from the Furnace during installation.
  - Furnaces with 12 VDC connection are for low-voltage battery or direct current only. DC Furnaces are designed for negative ground 12 VDC only. Do **NOT** attempt to alter the Furnace for a positive ground system or connect the Furnace directly to 120 or 240 VAC.
  - Do **NOT** use a battery charger to supply power to DC model Furnaces, even when testing.
  - Use only Dometic replacement parts and components, which are specifically approved for use with the Furnace.

# GENERAL INFORMATION

INCLUDED HARDWARE	
(2) Mounting Bracket	(2 to 3) Duct Adapter (depending on Furnace model)
Ventilation Assembly	15 Amp Breaker (DFMD35,DFLD35 & DFLD40 models only)
REQUIRED TOOLS AND MATERIALS	
Manometer Gauge/U-Tube	Volt-Ohm Meter (15+ amps)
Gas Leak Detector Liquid	Wrenches
Safety Glasses	RTV Type Sealant
Pipe Thread Sealing Compound	Foil Tape (optional)

## A. Model Specifications

### DFSAD12, DFSD12, DFSD16, DFSD20 (Small Furnace Models)

MODELS	DFSAD12	DFSD12	DFSD16	DFSD20
TYPE OF GAS	LP Gas	LP Gas	LP Gas	LP Gas
BTU INPUT	12,000	12,000	16,000	18,000
BTU OUTPUT	9,120	9,120	12,160	13,680
DUCT STATIC PRESSURE	0.10" WC, 0" WC front	0.10" WC	0.10" WC	0.10" WC
AMPERAGE (AMPS)	2.4*	3.4*	3.4*	4.8*
WATTS	34	41	56	34
POWER SUPPLY (VOLT DC)	12	12	12	12
MINIMUM RETURN AIR	35 in. <sup>2</sup>	35 in. <sup>2</sup>	35 in. <sup>2</sup>	35 in. <sup>2</sup>

WC = Water Column; \*15 Amp dedicated circuit for Furnace

### DFMD16,DFMD20, DFMD25, DFMD30, DFMD35 (Medium Furnace Models)

MODELS	DFMD16	DFMD20	DFMD25	DFMD30	DFMD35
TYPE OF GAS	LP Gas	LP Gas	LP Gas	LP Gas	LP Gas
BTU INPUT	16,000	20,000	25,000	30,000	35,000
BTU OUTPUT	12,160	15,200	19,000	22,800	25,840
DUCT STATIC PRESSURE	0.20" WC	0.10" WC	0.10" WC	0.10" WC	0.10" WC
AMPERAGE (AMPS)	4.2*	4.2*	7.5*	7.5*	11.1*
WATTS	50	50	90	90	132
POWER SUPPLY (VOLT DC)	12	12	12	12	12
RETURN AIR	80 in. <sup>2</sup>	80 in. <sup>2</sup>	80 in. <sup>2</sup>	80 in. <sup>2</sup>	80 in. <sup>2</sup>
MINIMUM RETURN AIR	65 in. <sup>2</sup>	65 in. <sup>2</sup>	65 in. <sup>2</sup>	65 in. <sup>2</sup>	65 in. <sup>2</sup>

WC = Water Column; \*15 Amp dedicated circuit for Furnace

# GENERAL INFORMATION

## DFLD35, DFLD40, DFLA35, DFLA40 (Large Furnace Models)

MODELS	DFLD35	DFLD40	DFLA35	DFLA40
TYPE OF GAS	LP Gas	LP Gas	LP Gas & Natural Gas	LP Gas & Natural Gas
BTU INPUT	35,000	40,000	35,000	40,000
BTU OUTPUT	26,600	30,400	26,600	30,400
DUCT STATIC PRESSURE	0.10" WC	0.10" WC	0.10" WC	0.10" WC
AMPERAGE (AMPS)	12.5**	12.5**	2.5*	2.5*
WATTS	138	138	154	154
POWER SUPPLY	12 VDC	12 VDC	12 VAC	12 VAC
RETURN AIR	80 in. <sup>2</sup>	80 in. <sup>2</sup>	80 in. <sup>2</sup>	80 in. <sup>2</sup>
MINIMUM RETURN AIR	65 in. <sup>2</sup>	65 in. <sup>2</sup>	65 in. <sup>2</sup>	65 in. <sup>2</sup>

WC = Water Column; \*15 Amp dedicated circuit for Furnace; \*\*20 Amp dedicated circuit for Furnace

## B. Model Dimensions

### DFSAD12, DFSD12, DFSD16, DFSD20 (Small Furnace Models)

COMPONENT	WIDTH	HEIGHT	DEPTH	WEIGHT
Casing	12"	7"	20"	Furnace 21 lbs. Boxed 24 lbs.
Small Vent	4-7/16"	4-7/16"	1-1/16"	
Door	14-3/4"	9-3/4"	1/2"	
Interior Grill	8-1/2"	12-1/2"	1/2"	
Trim Ring	14-1/8"	10-1/8"	1/8"	

### DFMD16, DFMD20, DFMD25, DFMD30, DFMD35 (Medium Furnace Models)

COMPONENT	WIDTH	HEIGHT	DEPTH	WEIGHT
Casing	16-1/2"	7"	20"	Furnace 26 lbs. Boxed 29 lbs.
STD Door	19-1/16"	9-1/2"	7/16"	
Flush Door	20-5/8"	11"	7/32"	
Small Vent	4-7/16"	4-7/16"	1-1/16"	

### DFLD35, DFLD40, DFLA35, DFLA40 (Large Furnace Models)

COMPONENT	WIDTH	HEIGHT	DEPTH	WEIGHT
Casing	16-1/2"	9"	20"	Furnace 39 lbs. Boxed 46 lbs.
Door	19-1/4"	9-1/4"	1/4"	
Recess Bezel	20-9/16"	11-1/2"	3/8"	
Small Vent	4-7/16"	4-7/16"	1-1/16"	

# PRE-INSTALLATION

## A. Identifying The Furnace Location

**⚠ WARNING** Failure to obey the following warnings could result in property damage, serious injury, or death:

- Install the Furnace only in a location and position specified in these instructions.
- Provide adequate combustion and ventilation air to the Furnace space, as specified in these instructions.
- Combustion products must be discharged outdoors. Connect this Furnace to an approved vent system only, as specified in these instructions.
- As specified in these instructions, always install the Furnace to operate within the Furnace’s intended temperature-rise range, with a duct system that has an external static pressure within the allowable range. Refer to the furnace rating plate.
- Do **NOT** install the Furnace near tilt-out rooms, slide-outs, and doors (refer to local codes for clearances), in an area where wires, pipes, or other objects will interfere with the installation or operation of the Furnace, or in an area that is less than 12" above a water heater (unless a heat shield is installed above the water heater).
- Do **NOT** install the Furnace directly on combustible flooring that restricts return air. Examples of combustible flooring include carpet, tile, soft material (like vinyl), or other combustible materials other than wood flooring.
- Do **NOT** install the Furnace where clearance to combustibles cannot be maintained. Excessive exposure to contaminated combustion air will result in safety and performance-related problems.

**i** The Furnace must be accessible for repairs.

## Determining The Installation Type And Clearances Required

- Locate the Furnace near the midpoint of the RV, at least 3' from the gas service regulator, for a single-Furnace application. The Furnace must be installed through an exterior wall. Spacing of 1/4" to ducting, within 3' of Furnace, must be provided unless UL-listed, wire-bound, vinyl ducts are used. All ducting material used must be rated for continuous use at a minimum of 200 °F.
- Determine if you are using a horizontal or vertical installation.
  - **Horizontal Installation:** locate the Furnace so that the gas line is at the top or rear of the Furnace.
  - **Vertical Installation:** the Furnace top becomes the right side of the Furnace. Locate the Furnace so that the vent is at the floor and the gas line is at the right or rear side.
- Identify the clearances required between the Furnace and the building materials surrounding the Furnace to allow for proper airflow. Use the "Minimum Clearance To Combustibles" and the "Proper Return-Air Inlet Clearance" sections as guidelines.

## Minimum Clearance To Combustibles

The minimum clearances allowed between the surface of the Furnace and combustible objects (board, wall, floor, etc) are shown in the table.

**i** The Furnace **CANNOT** be enclosed completely using these minimum dimensions.

<b>CLEARANCE TO COMBUSTIBLES*</b>	<b>Top</b>	<b>Sides</b>	<b>Rear</b>	<b>Bottom (To Screw Heads)</b>
<b>SM. &amp; MED. VERTICAL/HORIZONTAL</b>	1/2"	1/2"	1/2"	0"
<b>LG. VERTICAL/HORIZONTAL</b>	1/2"	1"	1/2"	0"

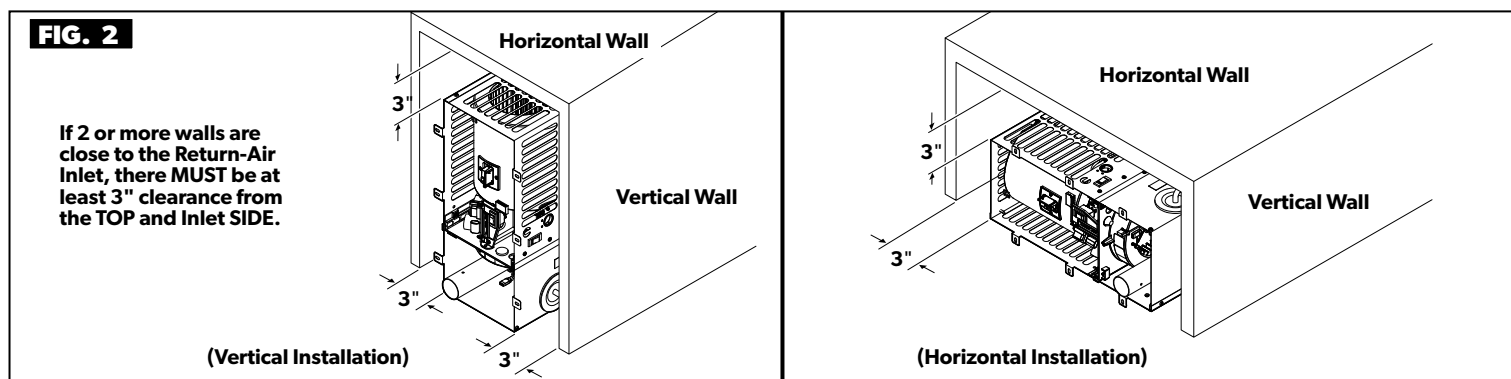
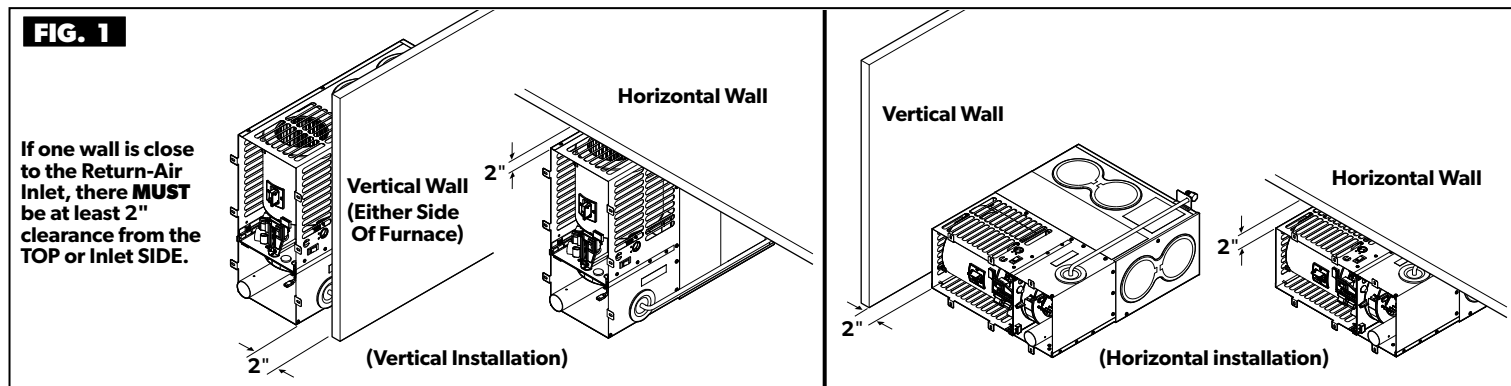
\*Combustibles are carpet, vinyl, tile, plywood, or similar building materials.

# PRE-INSTALLATION

## Proper Return-Air Inlet Clearance

**⚠ WARNING** When a furnace is installed so that supply ducts carry air circulated by the furnace to areas outside the space containing the furnace, the return air shall also be handled by duct(s) sealed to the furnace casing and terminating outside the space containing the furnace. Failure to do so could result in property damage, serious injury, or death.

**NOTICE** Furnaces **MUST** have at least the Minimum Return Air detailed in section "A. Model Specifications" on page 4 and page 5.

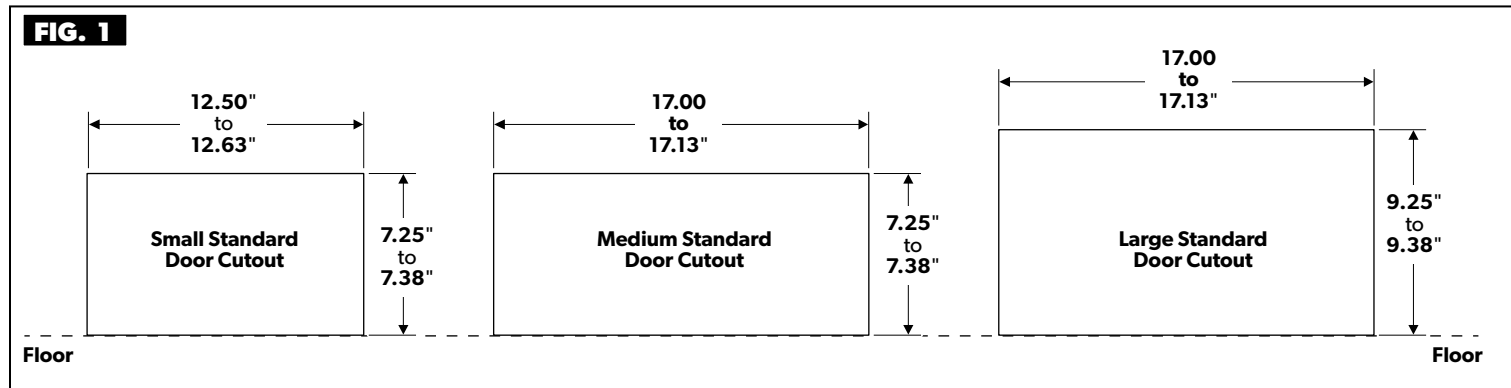


# PRE-INSTALLATION

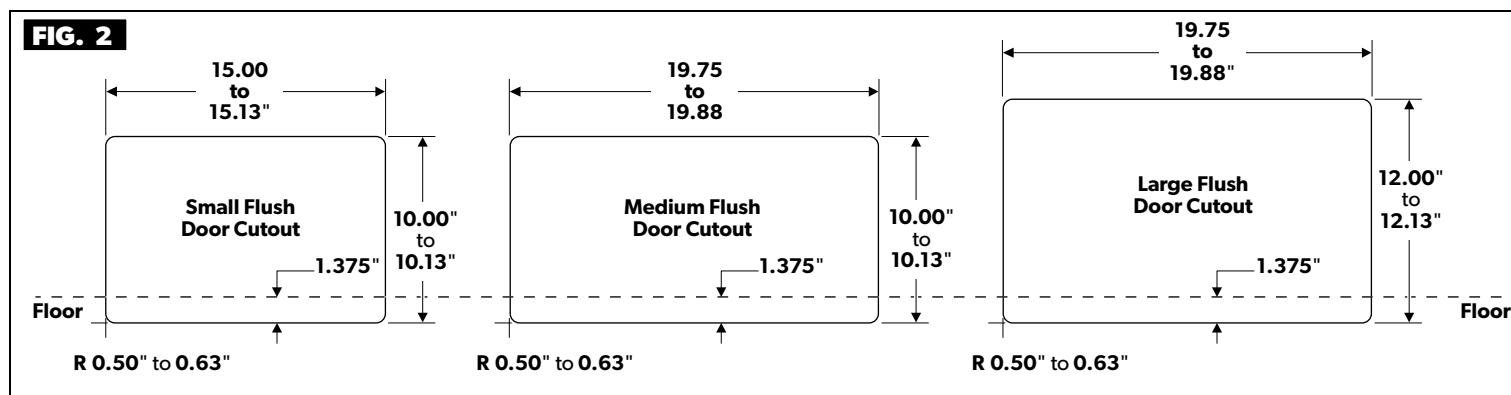
## B. Determining A Door Installation Option And Cutout Sizing

- Determine whether the RV has a standard door, flush door, or small vent configuration.
- Cut an opening through the side wall to fit the door installation option.

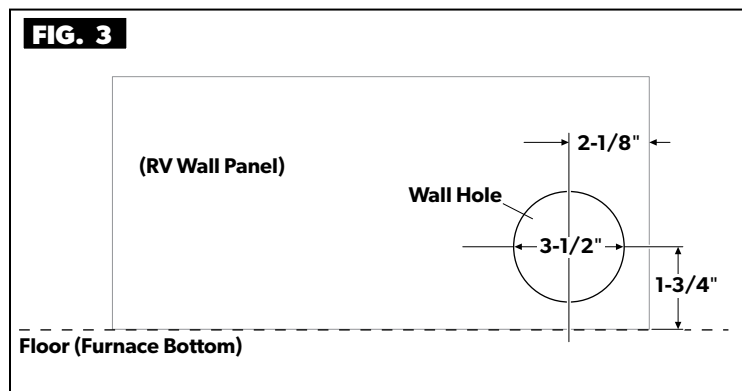
### Standard Door Installations



### Flush Door Installations



### Small Vent Installations



- There is **NO** door cutout on the outside of the RV for the small vent installation. The cutout is a hole in the side of the RV used to vent the Furnace outside of the RV.

**i** Access must be provided directly in front of the Furnace on the inside of the RV, for removal of the Furnace during servicing.



# PRE-INSTALLATION

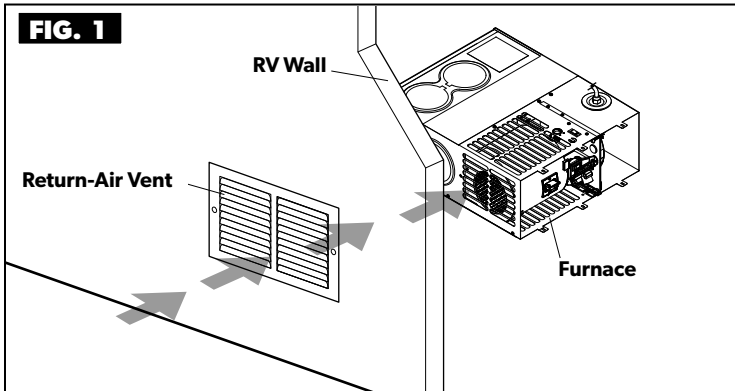
## C. Ducting

**⚠ WARNING** Failure to obey the following warnings could result in property damage, serious injury, or death:

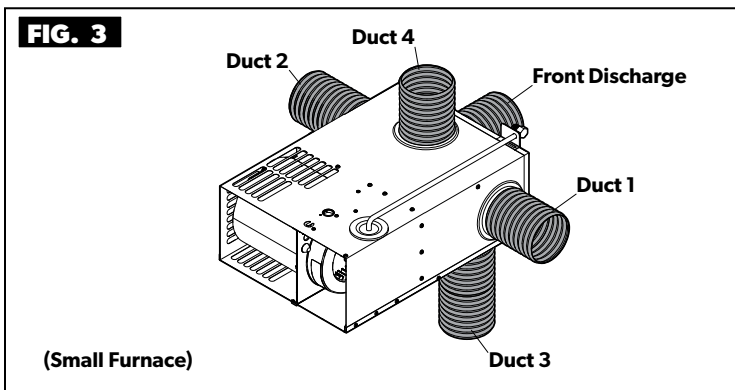
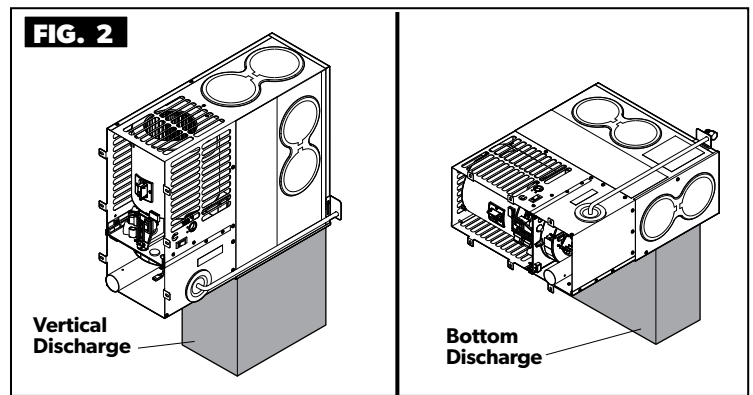
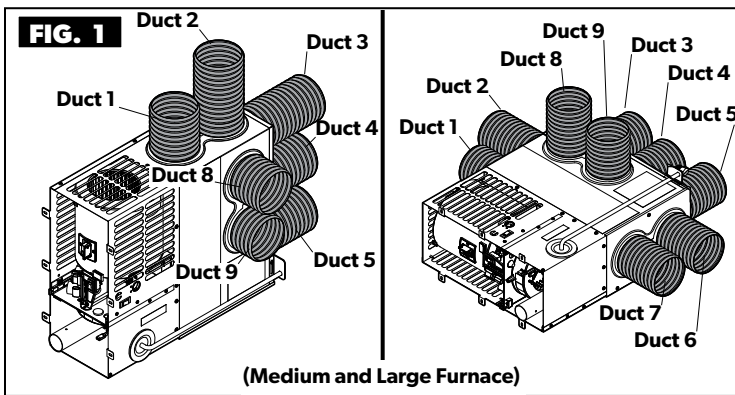
- Do **NOT** install floor registers within 24" of return-air openings.
- Do **NOT** use undersized ducting, which can cause high-temperature limiting.
- Do **NOT** use oversized ducting, which can cause inadequate air flow from the registers. When hard ducting is 1-1/2" in depth, additional flex ducts may be needed to maintain air flow requirements.
- Hard ducting **MUST** be sealed to the Furnace and the floor.
- Spacing of 1/4" to ducting, within 3' of the Furnace, must be provided unless UL-listed, wire-bound, vinyl ducts are used. All ducting material used must be rated for continuous use at a minimum of 200 °F.
- Floor registers must **NOT** be installed directly below the thermostat.

### Setting Up The Return-Air Pathways

**i** Keep all return-air passages clear to allow the Furnace to function properly. Make sure the total return-air opening size(s) meet the clearance requirements specified in "A. Model Specifications" on page 4 and page 5. Do **NOT** block the return airflow path with ducting.



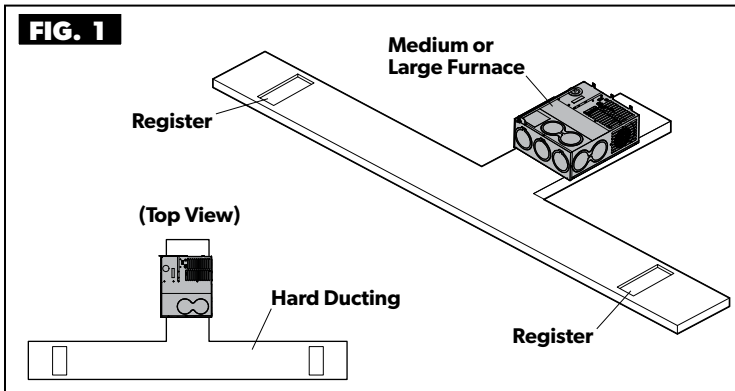
### Identifying Duct Locations



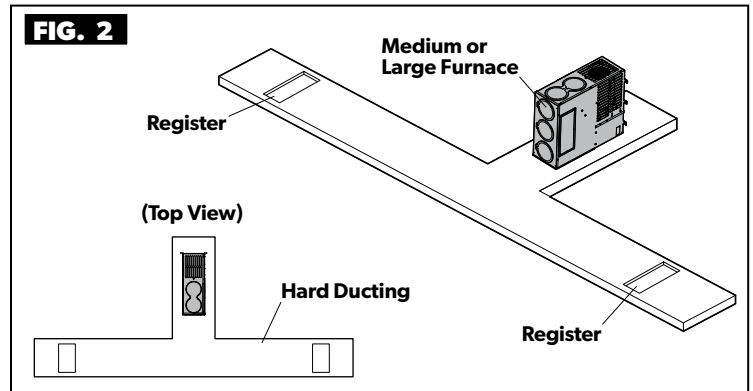
# PRE-INSTALLATION

## Air Discharge Configuration Examples

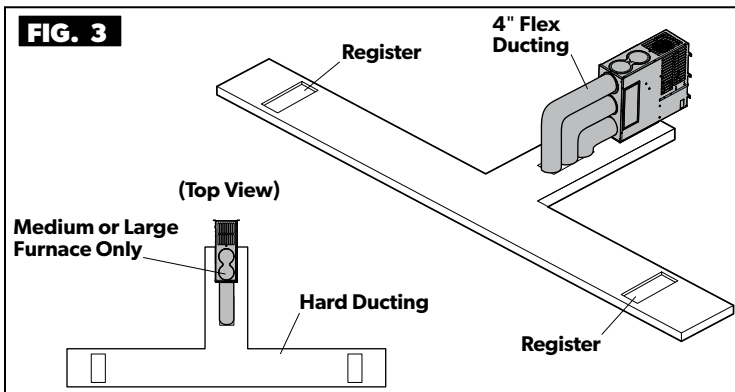
The following figures offer a visual representation of the detailed discharge requirements outlined in the "Air Discharge Requirements" tables on page 11 and page 12. These examples show vertical and horizontal installations, using different Furnace models and ducting options.



- Horizontal Furnace – Bottom exit into hard ducting

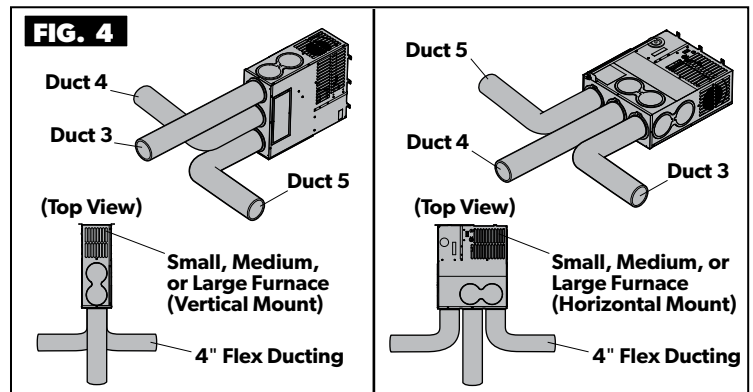


- Vertical Furnace – Bottom exit into hard ducting

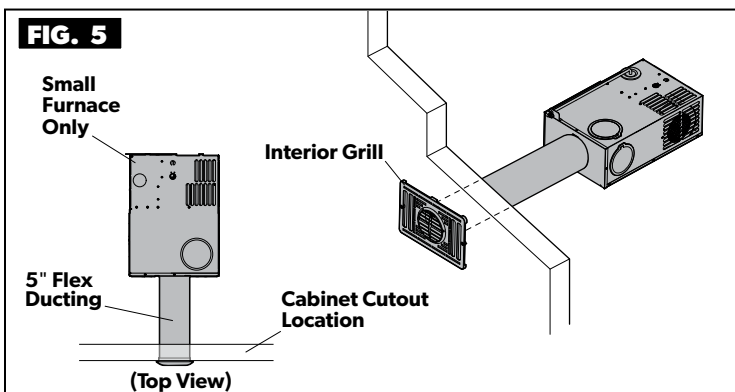


- 4" flex ducts into hard ducting

**i** For medium and large Furnaces: ducts 8 and 9 are used for additional ducting only, and are not used to calculate the required discharge area shown at the bottom of page 11.



- Make sure to use at least the minimum number of 4" flex ducts required for your model size. See "Air Discharge Requirements" on page 11 and page 12.



- 5" ducting over 12" long must have an additional 4" duct added to the system.

**i** To aid in the removal of the Furnace through the grill cutout for servicing, when using a front interior grill, orient the grill to the direction of the Furnace: horizontal if the Furnace is horizontal, vertical if the Furnace is vertical.


# PRE-INSTALLATION

## Air Discharge Requirements

		HORIZONTAL BOTTOM EXIT INTO HARD FLOOR DUCT	VERTICAL BOTTOM EXIT INTO HARD FLOOR DUCT	HORIZONTAL OR VERTICAL – USE DUCTS 3, 4 & 5 INTO HARD FLOOR DUCT	4" FLEX DUCTS	5" FRONT EXIT FLEX DUCTS	
LARGE	<b>DFL40</b>	Minimum CFM					
		220	175	165	215	N/A	
	<b>DISCHARGE REQ.</b>	4" x 10" Bottom exit <b>PLUS</b> 1-4" flex duct (for hard ducting under 2.5" deep). Duct 6 or 7 is recommended.	5" x 9-3/4" Bottom exit does not require additional ducts.	Horizontal or vertical. Use ducts 3, 4, and 5.	Three ducts <b>MINIMUM</b> . Four ducts recommended.	N/A	
	<b>DFL35</b>	Minimum CFM					
		200	175	165	215	N/A	
	<b>DISCHARGE REQ.</b>	4" x 10" Bottom exit <b>PLUS</b> 1-4" flex duct (for hard ducting under 2.5" deep). Duct 6 or 7 is recommended.	5" x 9-3/4" Bottom exit does not require additional ducts.	Horizontal or vertical. Use ducts 3, 4, and 5.	Three ducts <b>MINIMUM</b> . Four ducts recommended.	N/A	
			HORIZONTAL BOTTOM EXIT INTO HARD FLOOR DUCT	VERTICAL BOTTOM EXIT INTO HARD FLOOR DUCT	HORIZONTAL OR VERTICAL – USE DUCTS 3, 4 & 5 INTO HARD FLOOR DUCT	4" FLEX DUCTS	5" FRONT EXIT FLEX DUCTS
	MEDIUM	<b>DFM35</b>	Minimum CFM				
		225	155	155	285	N/A	
<b>DISCHARGE REQ.</b>		4" x 10" Bottom exit <b>PLUS</b> 1-4" flex duct (for hard ducting under 2.5" deep). Duct 6 or 7 is recommended.	5" x 9-3/4" Bottom exit does not require additional ducts.	Horizontal or vertical. Use ducts 3, 4, and 5.	Four ducts <b>MINIMUM</b> .	N/A	
<b>DFM30</b>		Minimum CFM					
		210	150	155	220	N/A	
<b>DISCHARGE REQ.</b>		4" x 10" Bottom exit <b>PLUS</b> 1-4" flex duct (for hard ducting under 2.5" deep). Duct 6 or 7 is recommended.	5" x 9-3/4" Bottom exit does not require additional ducts.	Horizontal or vertical. Use ducts 3, 4 and 5.	Three ducts <b>MINIMUM</b> .	N/A	
<b>DFM25</b>		Minimum CFM					
		175	160	160	190	N/A	
<b>DISCHARGE REQ.</b>	4" x 10" Bottom exit (40 in. <sup>2</sup> ).	5" x 9-3/4" Bottom exit does not require additional ducts.	Horizontal or vertical. Use ducts 3, 4 and 5.	Three ducts <b>MINIMUM</b> .	N/A		
<b>DFM20</b>	Minimum CFM						
	135	85	115	132	N/A		
<b>DISCHARGE REQ.</b>	4" x 10" Bottom exit (40 in. <sup>2</sup> ).	5" x 9-3/4" Bottom exit does not require additional ducts.	Horizontal or vertical. Use any two ducts: 3, 4 or 5.	Two ducts <b>MINIMUM</b> .	N/A		
<b>DFM16</b>	Minimum CFM						
	135	85	115	132	N/A		
<b>DISCHARGE REQ.</b>	4" x 10" Bottom exit (40 in. <sup>2</sup> ).	5" x 9-3/4" Bottom exit does not require additional ducts.	Horizontal or vertical. Use any two ducts: 3, 4 or 5.	Two ducts <b>MINIMUM</b> .	N/A		

# PRE-INSTALLATION

		HORIZONTAL OR VERTICAL USE (DUCTS 3, 4, & 5) OR BOTTOM EXIT INTO HARD FLOOR DUCT	4" FLEX DUCTS	5" FRONT EXIT FLEX DUCTS
SMALL	DFS20	Minimum CFM		
		N/A	130	92
	DISCHARGE REQ.	N/A	Two 4" flex ducts – one each from the left and right side, based on horizontal or vertical mounting.	One 5" <b>OR</b> two 4" ducts (5" can be reduced to 4" if necessary)
	DFS16	Minimum CFM		
		N/A	110	82
	DISCHARGE REQ.	N/A	Two 4" flex ducts – one each from the left and right side, based on horizontal or vertical mounting.	One 5" <b>OR</b> two 4" ducts (5" can be reduced to 4" if necessary)
	DFS12	Minimum CFM		
		N/A	90	80
	DISCHARGE REQ.	N/A	Two 4" flex ducts – one each from the left and right side, based on horizontal or vertical mounting.	One 5" <b>OR</b> two 4" ducts (5" can be reduced to 4" if necessary)
	DFSA12 (LOW AMP)	Minimum CFM		
		N/A	N/A	60
	DISCHARGE REQ.	N/A	N/A	One 5" front duct <b>ONLY</b>

 Air flow: shown in cubic feet-per-minute, taken with a cold system (Cold CFM). Registers: 4" x 10" floor registers flow air better than 4" Round Plastic registers. Using 4" Round registers may require additional ducting.

## Required Discharge

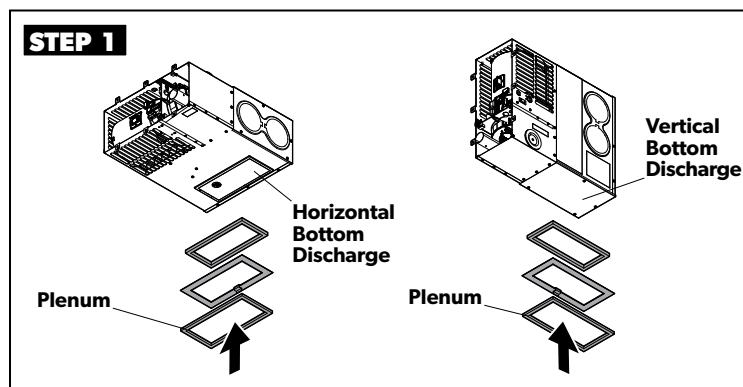
		MODELS	REQUIRED DISCHARGE AREA
SMALL		DFSA12	Front Grill or 15 in. <sup>2</sup>
		DFS (12, 16, & 20)	24 in. <sup>2</sup>
MEDIUM		DFM (16 & 20)	24 in. <sup>2</sup> with 4" flex
		DFM (25 & 30)	36 in. <sup>2</sup> with 4" flex
		DFM35	48 in. <sup>2</sup> with 4" flex
		DFM (30 & 35) Horizontal Bottom	48 in. <sup>2</sup> (Bottom + 4" duct)
		DFM (16, 20, & 25) Horizontal Bottom	40 in. <sup>2</sup> (Bottom only)
		DFM Vertical Bottom	48 in. <sup>2</sup> (Bottom only)
LARGE		DFL (35 & 40)	36 in. <sup>2</sup> with 4" flex
		DFL (35 & 40) Horizontal Bottom	48 in. <sup>2</sup> (Bottom + 4" duct)
		DFL (35 & 40) Vertical Bottom	48 in. <sup>2</sup> (Bottom only)

# PRE-INSTALLATION

## Installing The Floor Discharge System

**i** Read **BEFORE** proceeding:

- Each 4" duct opening provides 12 in.<sup>2</sup> of discharge area. For each closeable register, provide an extra 12 in.<sup>2</sup> of noncloseable duct discharge area. Make sure that all clearances and temperature requirements are met and the seal is airtight.
- Ducting into dead-air space with no return air, such as holding tank areas, does not count toward achieving minimum discharge requirements.
- 2" ducts exiting into the return-air space count as part of the minimum discharge area and minimum CFM.
- As applicable, the medium and large Furnace can be installed as a bottom-discharge system in either a horizontal or vertical position.



- Cut the opening for the floor discharge system in the floor of the RV.
  - **Standard Door:** see "Standard Door Floor Discharge Installations" on page 14.
  - **Flush Door:** see "Flush Door Floor Discharge Installations" on page 14.
  - **Small Vent:** see "Small Vent Floor Discharge Installations" on page 14.
- Remove the bottom discharge plate or side.
- Fasten the plenum plate bend tabs over the floor cutout.
- Place the gasket on the plenum around the floor opening.

**i** Plenum plates and gaskets are available for purchase through Dometic. If not using a Dometic gasket and plenum plate, seal the Furnace to the hard ducting system using an approved foil tape, or use a gasket that has a 300° F minimum temperature rating and a UL94-V0 rating.

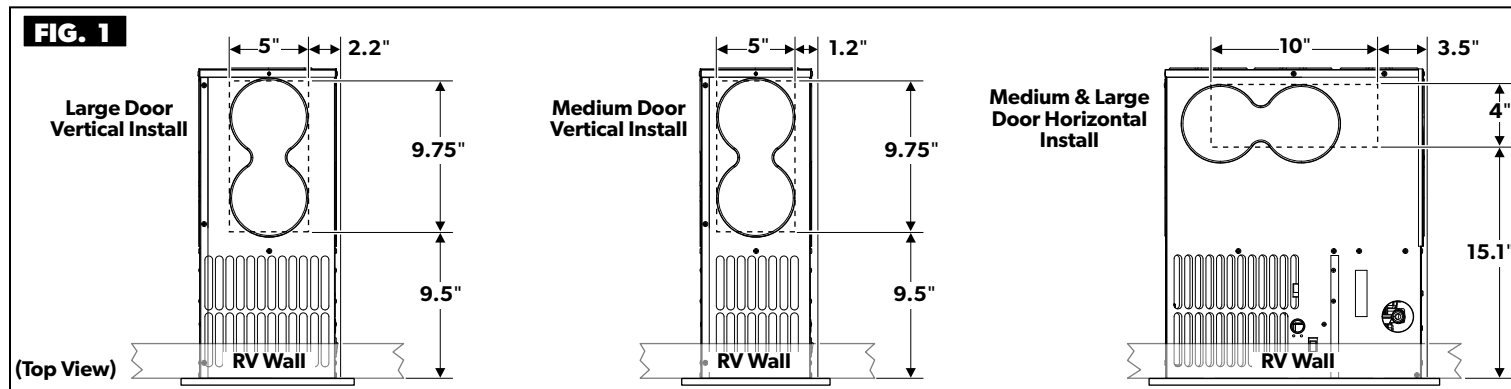
**Vertical Mount Furnace:** Kit 30205

**Horizontal Mount Furnace:** Kit 30261

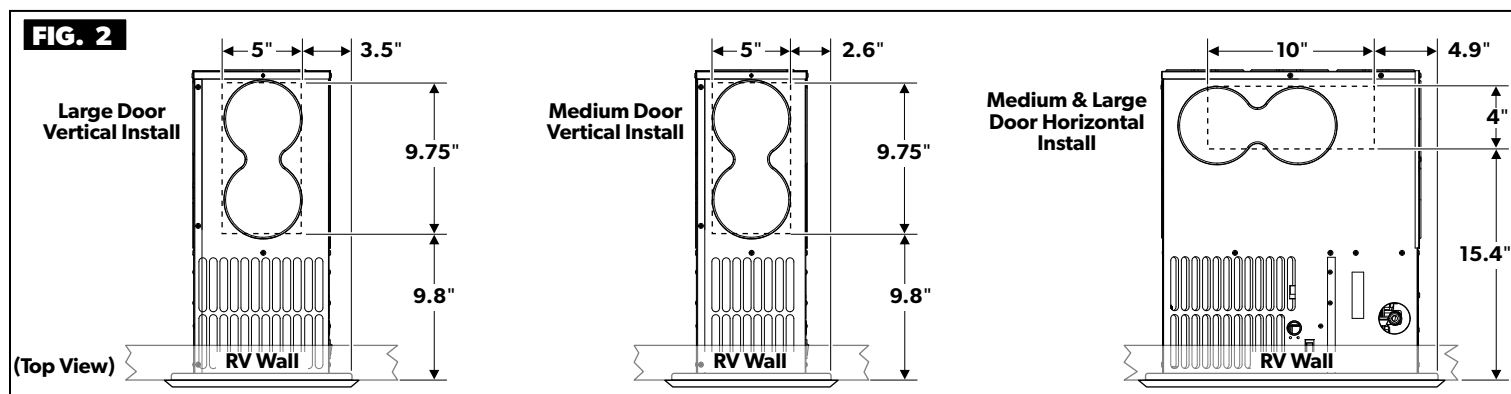
# PRE-INSTALLATION

## Standard Door Floor Discharge Installations

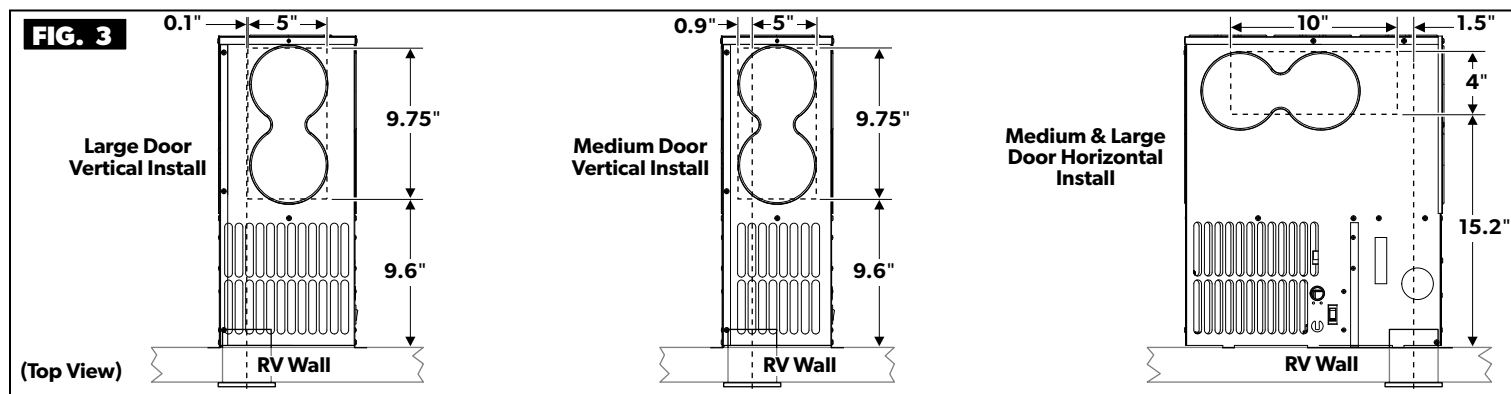
**i** The dotted lines around the knockouts in the figures represent the floor-hole position.



## Flush Door Floor Discharge Installations

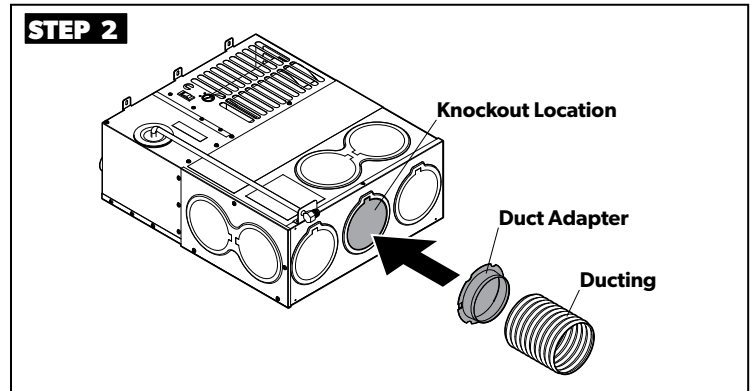
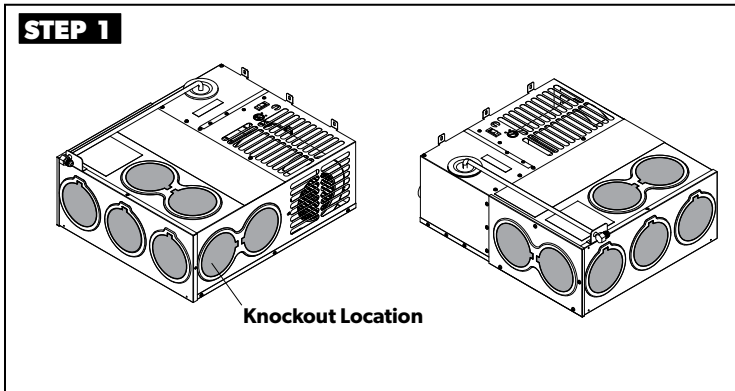


## Small Vent Floor Discharge Installations



# PRE-INSTALLATION

## Installing The Duct Adapters



- Remove the knockout plates from the desired outlets.
- Cover all unused knockouts.

**i** If a knockout is removed accidentally, cover plates are available for purchase through Dometic.  
**Cover Plate:** 31361

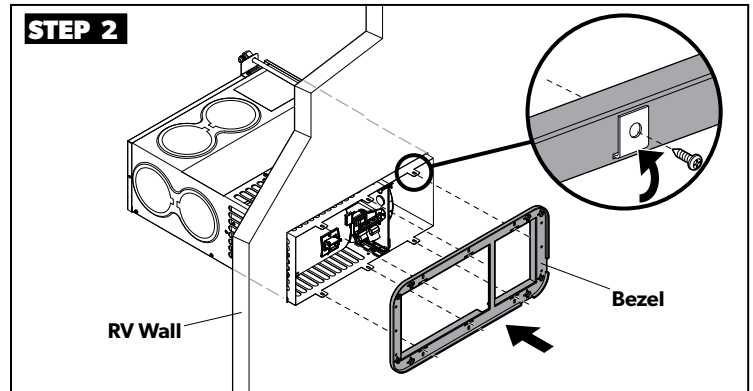
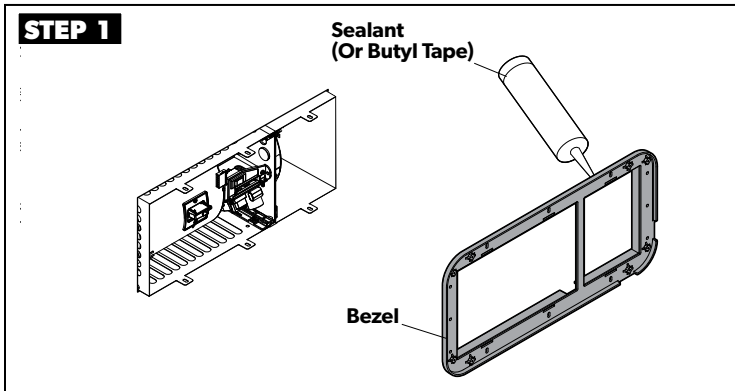
- Install the duct adapters (provided) by inserting the flange over the casing hole and turning the duct adapter 90° to lock the tab into the casing slot.
- Securely attach ducting to the duct adapter. If using screws to secure the ducting, do not use screws longer than 1/2".

## D. Installing the Furnace

- Proceed to the appropriate installation section to install the Furnace:
  - **Standard Door:** See "A. Installing The Furnace Using A Standard Door Option" on page 16.
  - **Flush Door:** See "B. Installing The Furnace Using A Flush Door Option" on page 17.
  - **Small Vent:** See "C. Installing The Furnace Using The Small Vent Option" on page 18.

# INSTALLATION

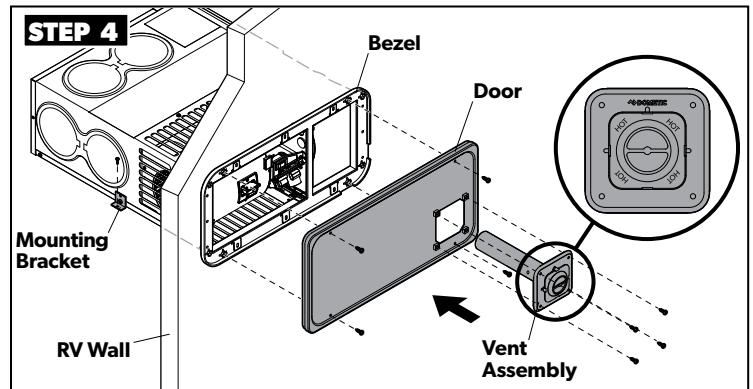
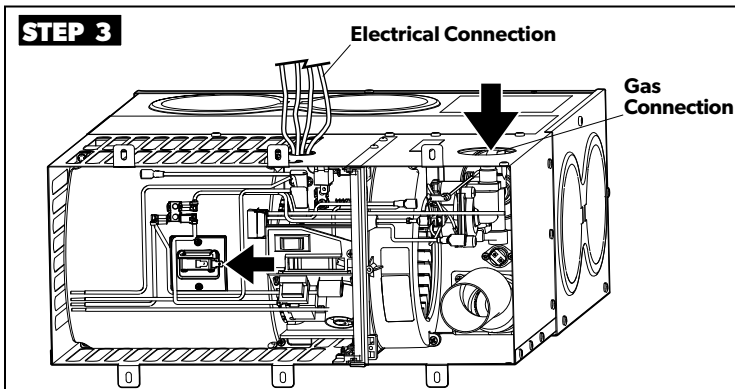
## A. Installing The Furnace Using A Standard Door Option



- i** The standard door option requires that the rectangular hole cut into the wall for the door opening has sharply cut corners to match the Furnace. The Furnace must be able to slide freely through the opening.
- Place the Furnace through the cutout approximately 1"-2" from the wall.
  - Apply RTV sealant or butyl tape to the entire back flange of the bezel.

- Place the bezel over the tabs and flush with the front edge of the casing. Be sure the edge of the bezel marked "TOP" faces the top of the casing. Bend the casing tabs over the bezel.
- Push the Furnace and bezel against the side wall. Secure using six #6 or #8-18 Pan Head Type A screws (not provided) placed through the bent tabs, bezel, and into the RV wall.
- Place six more screws (three per side) to the left and right side of the bezel. The bezel **MUST** fit tightly against the wall. Remove excess sealant.

- i** Do **NOT** deform the bezel during placement. The bezel must fit tightly to maintain an airtight seal.



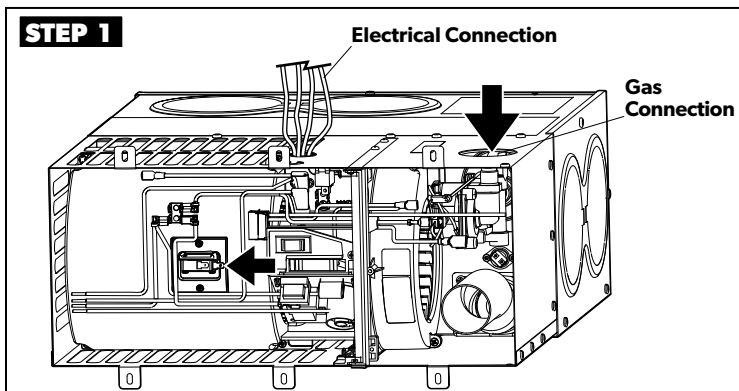
- Connect the electrical wiring. Refer to "H. Connecting The Electrical" on page 22.
- Connect the gas line to the valve. Refer to "F. Connecting The Gas" on page 20.

- Align the door with the bezel.
- Secure the door using four #6-19x1/2" thread-forming screws for plastic (not provided). Place the screws through the door and into the bezel bosses.
- Insert the vent assembly (provided) through the hole in the door, making sure the vent assembly goes into the chamber tube. Make sure the vent assembly is aligned with the Dometic text at the TOP.
- Secure the vent assembly to the door using four stainless steel exhaust screws (provided with the door).
- To secure the Furnace to the floor of the RV, proceed to "D. Installing The Mounting Brackets" on page 19.

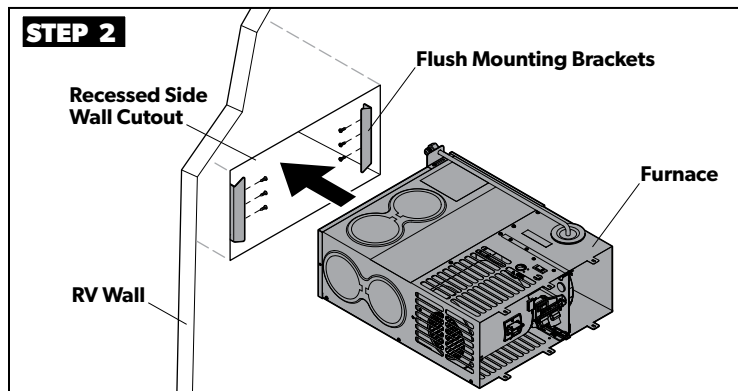


# INSTALLATION

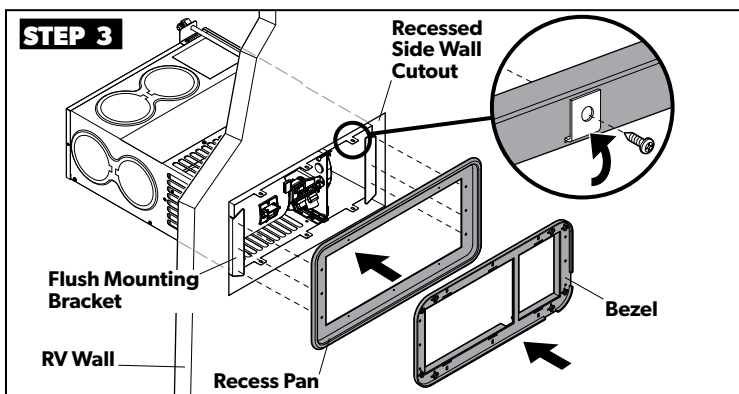
## B. Installing The Furnace Using A Flush Door Option



- i** Flush-mounted door systems require the Furnace to be installed on a 1" high platform, so the door cutout is level with the floor surface. Otherwise, the side wall must be routed out across the bottom to the depth of the bezel, to create a pocket area. The flush door option requires 1/2" radius corners.
- Place the Furnace through the cutout.
  - Connect the electrical wiring. Refer to "H. Connecting The Electrical" on page 22.
  - Connect the gas line to the valve. Refer to "F. Connecting The Gas" on page 20.

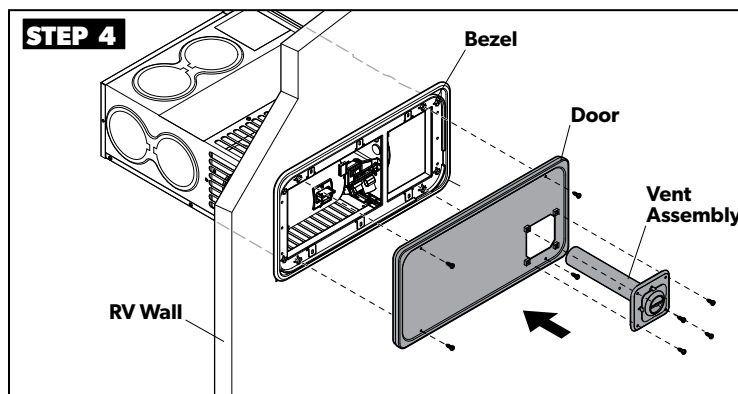


- Use three screws (not included) on each side of the Furnace to secure the flush mounting brackets to the wall. Leave 5/16" of space from the bracket to the outside of the wall.
- Apply RTV sealant or butyl tape to the back of the bezel and the back of the flanges on the recess pan, where it will overlap with the wall.
- Pull the front edge of the Furnace out of the wall approximately 2".



- Slide the recess pan over the Furnace and place the bezel on the six mounting tabs.
- Push the recess pan and bezel forward until the six casing tabs move through the slots in the bezel.
- Bend the casing tabs to the outside of the bezel.
- Align the top three holes on the bezel with the holes in the recess pan, then place six (three on the top and three on the bottom) #6 or #8 x1/2" Pan Head Type AB screws, or self-drilling screws, (not provided) into the top and bottom holes on the bezel. Tighten the screws to attach the bezel to the recess pan.
- Secure the Furnace using six (three per side) #6 or #8 x1/2" Pan Head Type AB screws, or self-drilling screws, (not provided) placed through the bezel, the recess pan, and into the flush mounting brackets. Remove excess sealant.

- i** Do **NOT** deform the bezel during placement. The bezel must fit tightly to maintain an airtight seal.



- Secure the door using four #6-19x3/8" thread-forming screws for plastic (not provided). The door should be flush with the RV wall.
- Insert the vent assembly (provided) through the hole in the door, making sure the vent assembly goes into the chamber tube with the Dometic text aligned at the TOP.
- Secure the vent assembly to the door using four stainless steel exhaust screws (provided with the door).
- To secure the Furnace to the floor of the RV, proceed to "D. Installing The Mounting Brackets" on page 19.

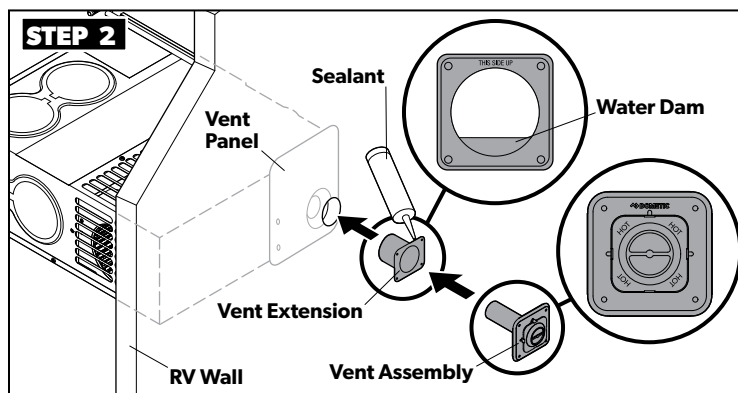
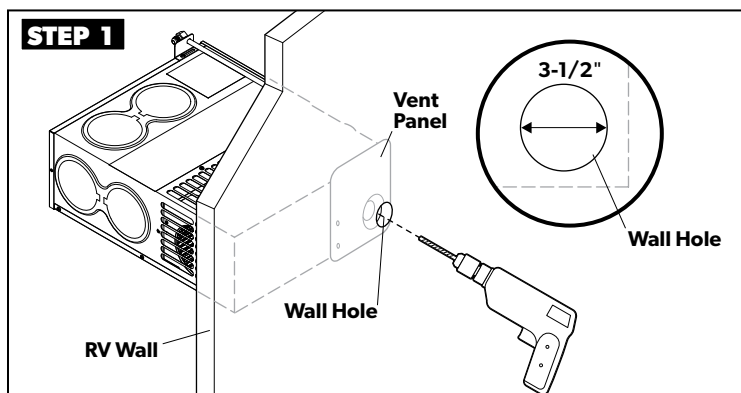
# INSTALLATION

## C. Installing The Furnace Using The Small Vent Option

**⚠ WARNING** Failure to obey this warning could result in property damage, serious injury, or death:

- Do **NOT** install vents where projection or door openings come within 6" of the vent opening. The RV door, panel, or cover material may discolor, warp, or burn from the exhaust temperature.
- CARBON MONOXIDE HAZARD:
  - Properly seal the vent assembly to prevent carbon monoxide from entering the RV. Do **NOT** vent exhaust air or draw combustion air from the living area or an enclosed porch.
  - Do **NOT** vent the Furnace with a venting system serving another appliance.

**i** Access must be provided directly in front of the Furnace on the inside of the RV for removal of the Furnace during servicing.



- Locate the Furnace exhaust vent cutout location.
- Drill a 3-1/2" dia. hole through the wall for intake/exhaust.

**i** The maximum exterior wall thickness is 2-1/2". Do **NOT** exceed maximum wall thickness. Purchase an optional vent kit to extend the vent to a 3" wall thickness, if necessary.

- Apply butyl tape or RTV sealant to the back flange of the vent extension before securing to the wall.
- Hold the vent extension with the printed "THIS SIDE UP" text at the top, and the water dam at the bottom.
- Push the vent extension into the wall until it slides onto the vent panel.
- Align the vent assembly (provided) over the vent extension so that the Dometic text is at the **TOP**.
- Push the vent assembly into the chamber tube and secure using four stainless steel exhaust screws (not provided).

**i** Overlap the vent tube over the chamber tube by a minimum of 1-1/2" for proper venting of exhaust fumes.

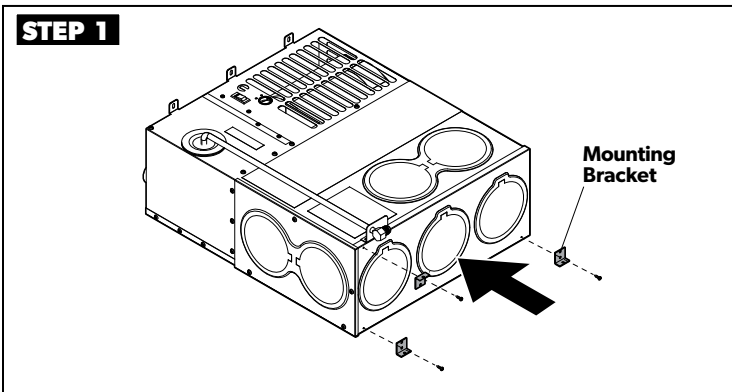
- Connect the electrical wiring. Refer to "H. Connecting The Electrical" on page 22.
- Connect the gas line to the valve. Refer to "F. Connecting The Gas" on page 20.
- Push the Furnace vent panel against the RV wall.

**i** The Furnace vent panel **MUST** be pushed against the RV wall before installing the mounting brackets.

- Proceed to "D. Installing The Mounting Brackets" on page 19.

# INSTALLATION

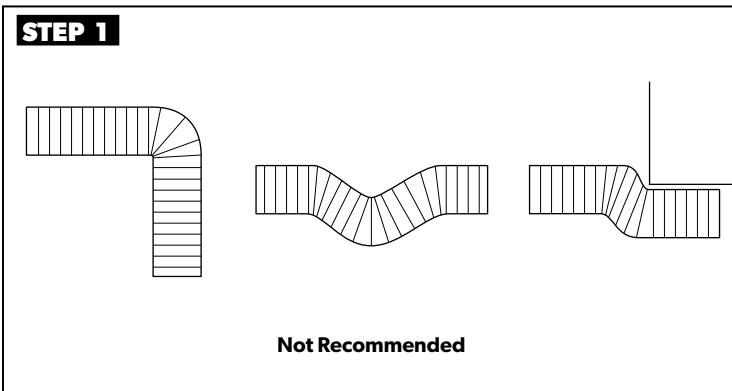
## D. Installing The Mounting Brackets



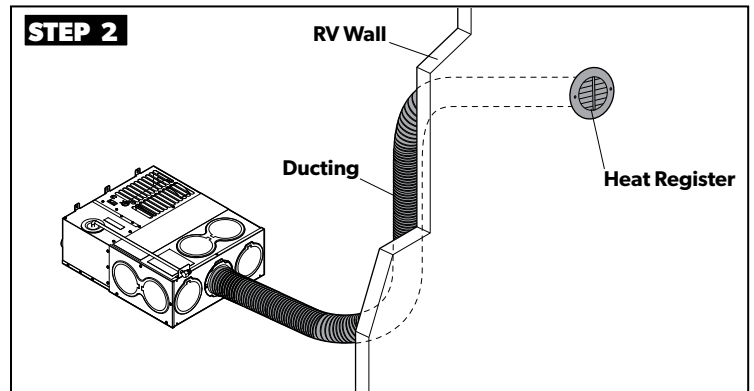
- Make sure the mounting surface on the RV is flat and the Furnace is positioned evenly (front-to-back, side-to-side).
- Fasten the two mounting brackets (provided) to the casing by placing the brackets over any two of the three holes at the rear of the Furnace. Secure using two #8-18x1/2" screws (provided).
- Secure the Furnace mounting brackets to the RV using screws (not provided).

**i** Mounting brackets can be attached to the Furnace casing by removing an existing casing screw, **ONLY** with prior approval from Dometic. When securing the Furnace, it **MUST** be accessible and easily removed for service.

## E. Running the Ductwork



- Stretch out all of the ducts and run them directly to the outlets. Keep the number of angles to a minimum and avoid sharp bends, deep sags, or crushed ducts, as shown.
- Attach and secure the 4" flexible duct to the adapter(s).



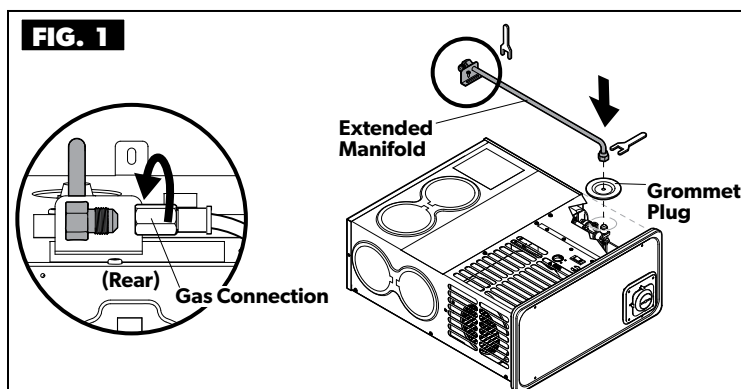
- Run duct(s) to the desired location(s) within the RV.
- Secure the ducting to the register(s).
- i** If the burner cycles ON and OFF at the high-temperature limit, it may be due to a restriction or bend in the ductwork. Add extra ducting to correct this condition.
- Adjust the Furnace to the proper temperature rise after installation of the Furnace and ducting is complete. The Furnace is tested to the temperature rise specified on the rating plate.
- If checking the temperature rise is not possible, measure the airflow at each register. Airflow should meet or exceed the measurements in the "Air Discharge Requirements" on page 11.
- Adjust the ducting installation to obtain an airflow rate total from all living area vents (in CFM) of the Furnace, as specified in the "Air Discharge Requirements" on page 11.
- If readings are below the table values, improve the airflow by adding ducts or reducing/eliminating system restrictions. Reference the "Air Discharge Configuration Examples" on page 10 for guidance.

# INSTALLATION

## F. Connecting The Gas

**⚠ WARNING** FIRE OR EXPLOSION HAZARD. Failure to obey the following warnings could result in property damage, serious injury, or death:

- Install gas connections in compliance with the applicable supplemental directives listed in this manual. Refer to "C. Supplemental Directives" on page 2.
- **NEVER** use an open flame to check for gas leaks. Use a commercially available soap solution made specifically for the detection of leaks to check all connections, as specified in these instructions.
- Should the gas supply fail to shut off or if overheating occurs, shut off the gas valve to the Furnace before shutting off the electrical supply.
- Do **NOT** put sealing compound on flare fittings.



**i** An extended manifold is used in this example; however, the use of tubing or other variations to connect the gas is acceptable.

- Treat all male pipe threads, other than flare fittings, with a sealing compound resistant to a chemical reaction with LP gas.
- Remove the grommet plug from the Furnace and install on the gas line.
- Insert the gas line through the hole in the top of the casing.
- Connect the gas line to the fitting located on the valve. If the Furnace is supplied with an extended manifold, connect the gas line at the rear of the Furnace.
- Reinstall the grommet plug on the casing, as it is a required air seal. **DO NOT** CUT.
- Use two wrenches to hold the valve and flare nut, and tighten the flare nut over the gas line.
- Torque the fitting to 20–22 ft. lbs. **Do NOT** twist the valve out of position when tightening the gas line.

**i** For DFLA35 and DFLA40 models only, a gas conversion kit is included with your Furnace. To convert the Furnace gas type, proceed to "G. Converting The Furnace Gas Type" on page 21.

## LP Gas Pressure Test

**i** Read **BEFORE** proceeding:

- Test all piping systems **BEFORE** connecting the Furnace.
- Disconnect the Furnace and any individual shut-off valves from the gas supply piping system when pressure testing the system at pressures of more than 1/2" PSI.
- If local codes allow the use of a flexible gas appliance connector, do **NOT** use a connector which has previously serviced another gas appliance.
- For gas conversions only, a 1/8" NPT plug is provided upstream of the gas connections for checking the gas pressure.
- Perform an air pressure test on the piping system. The test must maintain an air pressure of a least 6" of mercury or 3 PSI for at least 10 minutes.
- Adjust the piping system to maintain the minimum gas supply pressure listed on the rating plate, when all appliances are in operation.
- Test gas connections for leakage with a commercially available soap solution made specifically for the detection of leaks.

# INSTALLATION

## G. Converting The Furnace Gas Type

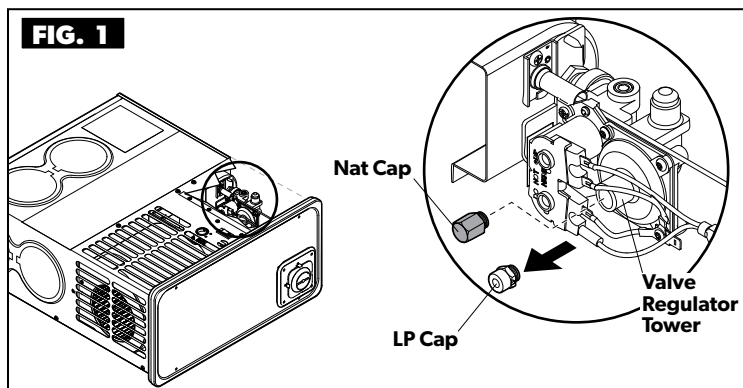
**NOTICE** This section applies to DFLA35 and DFLA40 models only. These models are set up for LP gas at the factory, but can be converted to natural gas. A natural gas conversion kit is included.

**WARNING** Any conversion to natural gas must conform with local codes, or in the absence of local codes, with the National Fuel Gas Code, ANSI Z223.1/NFPA 54 Natural Gas and Propane Installation Code, in addition to the Standard for Recreational Vehicles NFPA1192 and CSA Z240 RV Recreational Vehicle Code.

### Changing The Adjustment Regulator Caps

**i** Read the following **BEFORE** proceeding:

- The convertible valve is set for a pressure setting of 3.5" for natural gas (NAT) and 10.5" for LP gas. These settings are not adjustable.
- Do **NOT** modify the adjustment regulator caps or use them with any other valve.

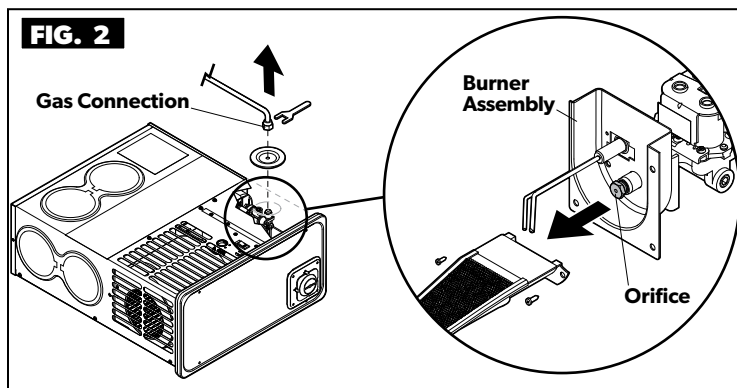


- Unscrew the adjustment regulator cap and remove from the valve regulator tower. Do **NOT** remove the rod from inside the regulator tower or perform any adjustments.
- Place the NAT or LP cap appropriate for the conversion onto the valve regulator tower.
- Tighten the adjustment regulator cap by hand or use a small wrench. Do **NOT** overtighten the adjustment regulator cap.
- Install the main burner orifice. Refer to the "Conversion Specifications Table" for information specific to LP or NAT conversion.

### Replacing The Orifice

**i** Read the following **BEFORE** proceeding:

- Each Furnace is supplied with two main burner orifices. One is installed on the manifold and the other is attached to the blower housing cover.
- The type of gas in use must match the adjustment regulator cap and orifice installed in the Furnace.



- Disconnect the gas line from the valve.
- Remove the three screws holding the burner assembly to the back wall of the control box.
- Remove the two screws holding the burner to the manifold.
- Unscrew the orifice using a 7/16" wrench or socket.
- Use the "Conversion Specifications Table" to select the correct orifice needed for the gas type.
- Install the new orifice.
- Reverse steps 1-3 to reinstall the burner, burner assembly, and the gas line.
- Test gas connections for leakage with a commercially available soap solution made specifically for the detection of leaks.
- Place the "converted" sticker (provided) in a visible location, next to the model number label.

### Conversion Specifications Table

GAS TYPE	BTU/HR	LINE PRESSURE	REGULATOR CAP SETTING	DRILL SIZE
Propane (LP)	40,000	11" WC	10.5" WC	49P
Natural (NAT)	40,000	7" WC	3.5" WC	#30
Propane (LP)	35,000	11" WC	10.5" WC	#51
Natural (NAT)	35,000	7" WC	3.5" WC	#30

WC = Water Column

# INSTALLATION

## H. Connecting The Electrical

**⚠ WARNING** Failure to obey the following warnings could result in property damage, serious injury, or death:

- ELECTRICAL SHOCK HAZARD:
  - The Furnace must be electrically grounded in accordance with local codes, or in the absence of local codes, with the National Electrical Code, ANSI/NFPA 70, and/or the Canadian Electrical Code, CSA C22.1, Part 1, if an external electrical source is utilized.
  - The Furnace **MUST** be installed so that electrical components are protected from water and other installation debris.
  - If the Furnace model is designed for negative ground 12 VDC only, do **NOT** attempt to alter Furnace for a positive ground system or connect a 12 VDC Furnace to 120 VAC or 240 VAC. Furnaces with 12 VDC connection are for low-voltage battery or direct current only.
  - Do **NOT** "Hi Pot" the Furnace unless the electronic ignition system (circuit board) has been disconnected.
  - Do **NOT** use a battery charger to supply power to a DC model Furnace even when testing.
  - Do **NOT** use 120 VAC current with VDC models. Do **NOT** use 12 VDC current with 120 VAC models.
  - The direct high voltage spark ignition of the Furnace generates a radio frequency that may cause interference with other microprocessor-based equipment. Locate any equipment at least five feet from the Furnace location.

### Overcurrent Protection (No Wire Bundling Restrictions)

WIRE SIZE	AMPACITY	WIRE TYPE
20	3	Stranded Only
18	6	Stranded Only
16	8	Stranded Only
14	15	Stranded Only
12	20	Stranded Only
10	30	Stranded Only
8	40	Stranded Only
6	55	Stranded Only
4	75	Stranded Only
2	100	Stranded Only

### Wiring Information

- To route wiring to the Furnace refer to the "Wiring Diagrams" on page 23.
- Use the smallest wire size shown in the table to minimize voltage drop.
- If power is supplied from a converter that is equipped with a charging port, wire the converter to the Furnace at the same time as the battery.
- If a Furnace is supplied with a connector block on the field connections, use the mating parts.
- All Furnaces have a power switch to turn the Furnace off for servicing. Confirm the switch is in the ON position.

### Additional Information For VAC Wiring Only

- Furnaces equipped with 120 VAC motors use power from a 24 VAC transformer inside the Furnace to power electrical component parts.
- The power switch for VAC Furnaces is located in the valve circuit leg only.
- Use a minimum of 18 GA wire to route 120 VAC and thermostat leads to wires located on the left side of the control box.

### Overcurrent Protection

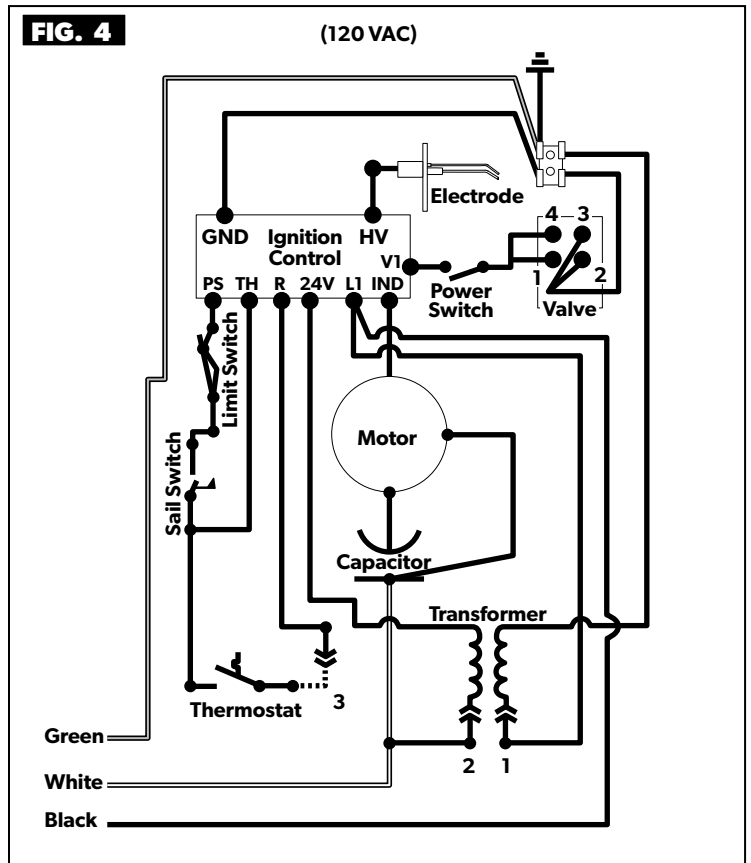
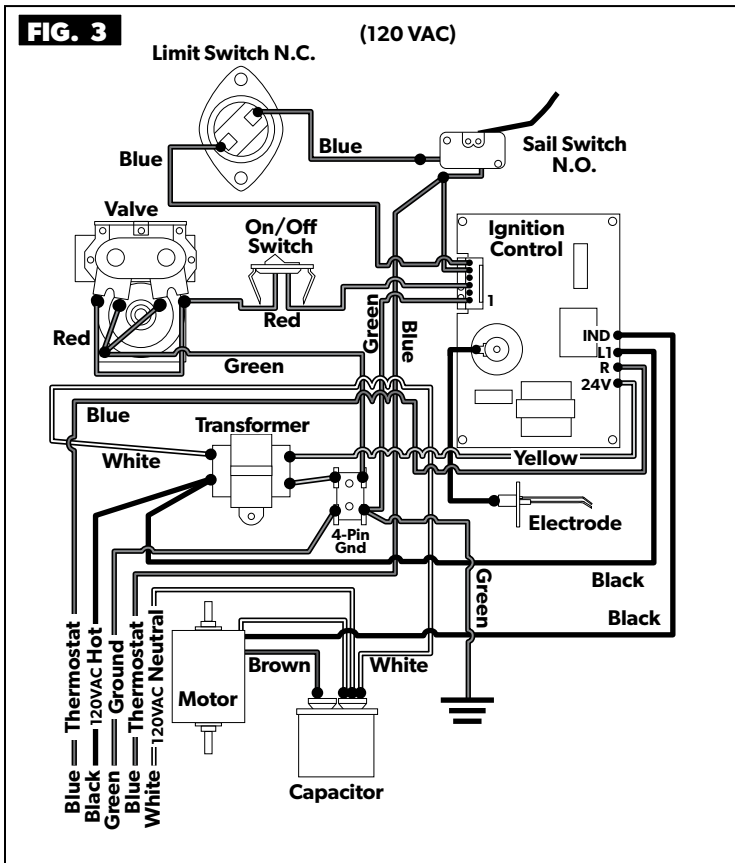
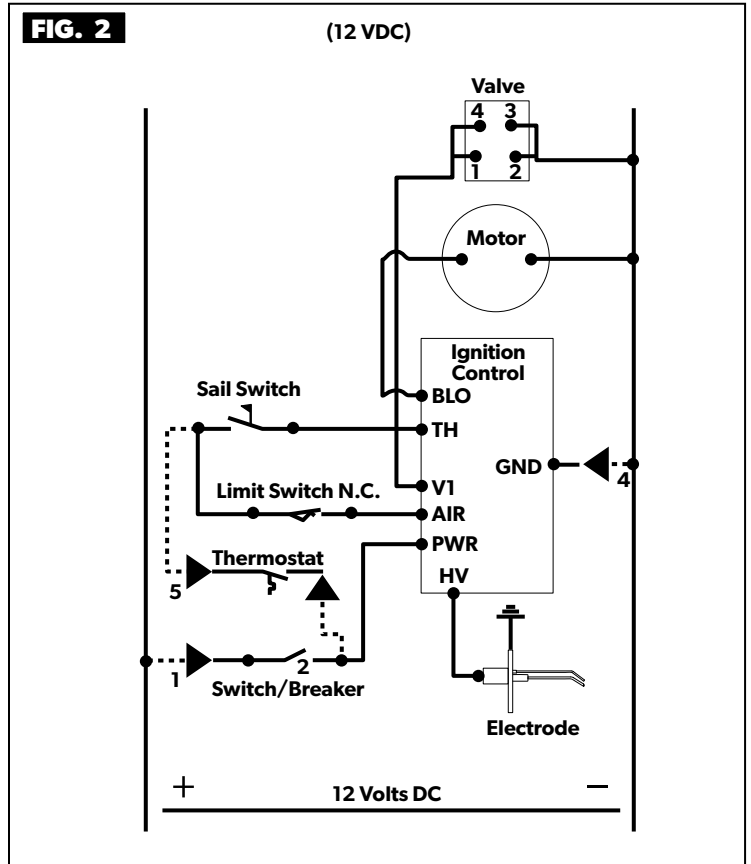
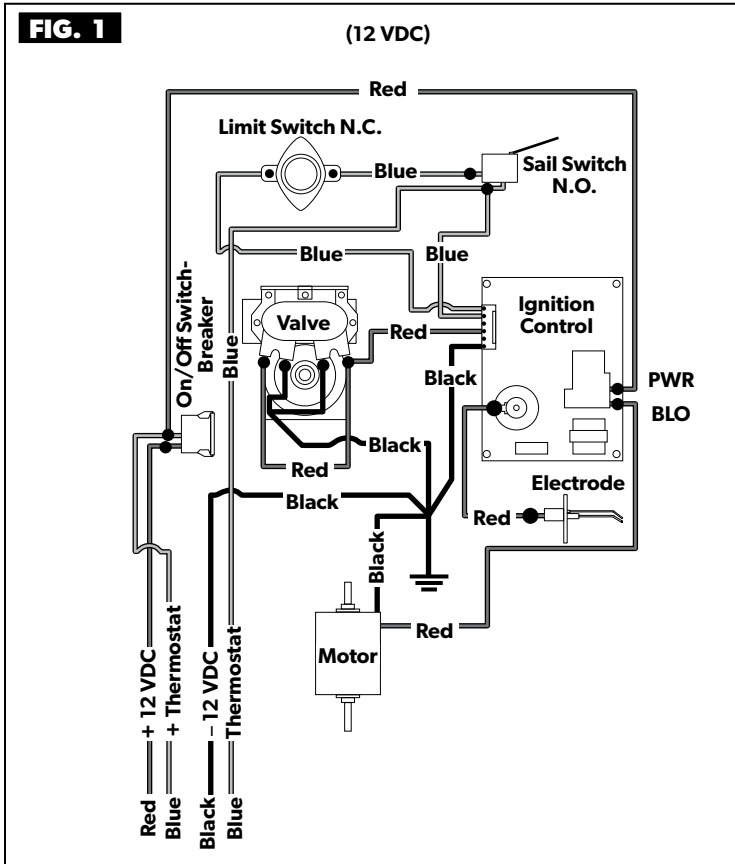
AWG OR SAE CONDUCTOR SIZE	MAXIMUM AMPACITY AT CONDUCTOR INSULATION TEMPERATURE RATING OF 90°	MAXIMUM AMPACITY AT CONDUCTOR INSULATION TEMPERATURE RATING OF 105 °C/ 125 °C
20*	5	7.5
18*	7.5	10
16*	10	15
14*	17.5	20
12*	22.5	25
10**	40	50
8**	55	70
6**	75	100
4**	95	120
2**	130	150
1**	150	-
1/0**	170	-
2/0**	195	-
3/0**	225	-
4/0**	260	-

\*Not more than seven wires per harness; \*\*Not more than three wires per harness

**i** A 15-amp circuit breaker is provided with the DFMD35, DFLD35, and DFLD40 Furnace models. Install the breaker inside the main fuse panel in place of a normal fuse for the RV. Place the circuit breaker in the "Furnace Only Circuit".

# INSTALLATION

## Wiring Diagrams



# INSTALLATION

## I. Installing The Thermostat

**⚠ WARNING** Do **NOT** install the thermostat where there are other heating loads, such as direct sunlight, heat-producing appliances (television, radio, wall lamp, etc.) Furnace, or air conditioner output registers. Failure to follow these instructions could result in serious injury or death.

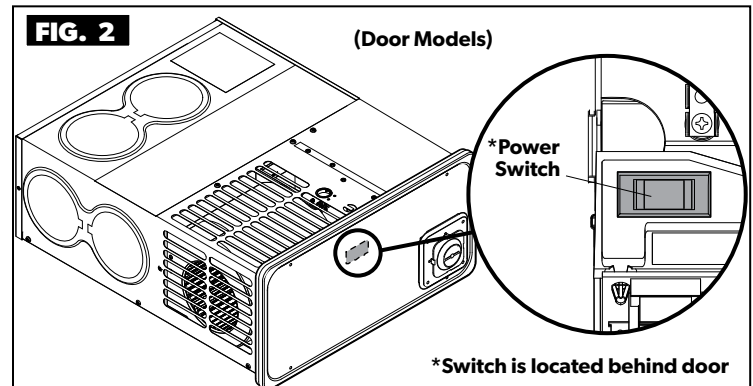
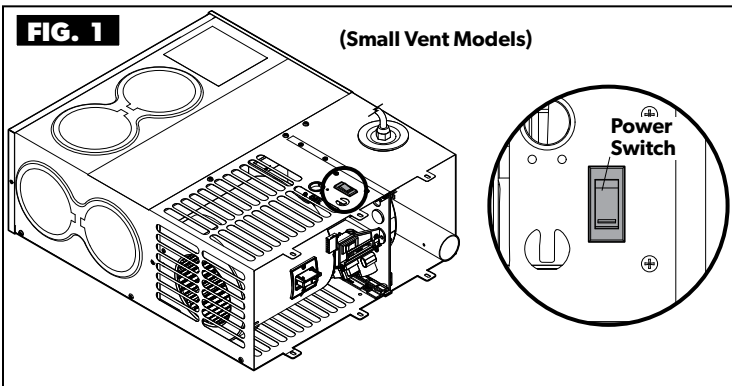
**i** Read **BEFORE** proceeding:

- Wire the thermostat using 22 AWG minimum stranded wire.
- Purchase a thermostat rated for 12 VDC or 24 VAC, Minimum 1 AMP rating.
- Disconnect all electrical power to the Furnace.
- Locate a dry area away from the heat registers with good air circulation for the thermostat installation.
  - Place the thermostat 48"– 54" above the main living area floor on an INTERIOR wall, when possible.
  - Use a 3/4" spacer between the thermostat and wall, for proper room air sensing when placing on an EXTERIOR wall.
- Follow manufacturer's installation instructions provided with the thermostat.

# TESTING

## A. Testing The Furnace

**⚠ WARNING** Do **NOT** operate the Furnace while the vehicle is in motion or being towed.



### Testing The Operation

1. Turn the manual valve (if equipped) or the valve at the outside LP tank to the OFF position. Do **NOT** force.

**i** This Furnace is equipped with a power switch. Gas will not flow to the burner, and the Furnace will not operate with the power switch in the OFF position.

2. Turn the power switch to the ON position.

**i** This Furnace is equipped with an ignition device which automatically lights the burner. Do **NOT** light the burner by hand.

3. Set the thermostat above room temperature to begin blower operation. A slight delay will occur before the blower begins running.
4. Allow the blower to run for 15 seconds to complete the combustion chamber purge cycle.
  - If the blower does not come on or stops before the ignition cycle, shut down the Furnace and contact your dealer or a local RV service agency.
5. Move the thermostat lever below room temperature.
6. Wait approximately 90 seconds for the blower to stop running.
7. Open the manual shut off valve (if equipped) or the valve at the LP tank. Correct Furnace operation depends on the valve being fully open. Never attempt to operate with a valve partially closed.
8. Turn the shut off switch to the ON position.
9. Set the thermostat lever to the desired setting. If set above room temperature, the blower begins running.
10. Allow 15 seconds for the main burner to light after the blower begins running.
  - If the burner does not light, confirm the gas is ON and repeat steps by resetting the thermostat to purge any air in the gas system.
  - If after three attempts there is no ignition, shut down the Furnace and contact your dealer or a local recreational vehicle service agency. Do **NOT** continue to cycle the Furnace through the thermostat in an attempt to get ignition.

### Shutting Down The Furnace

1. Set the thermostat to the lowest setting, then turn to the OFF position.
2. Turn the manual shut off valve at the LP tank (if equipped) to the OFF position. Do **NOT** force the valve.
3. At the exterior access panel, turn the valve shut-off switch to the OFF position.



# DIAGNOSTICS

## A. Ignition Control Diagnostic Codes

- The following chart gives the diagnostic codes given by the ignition control when faults are present. An LED light, located in the middle of the control board, will flash the codes indicated in the diagnostic chart. There is a standard of three tries for ignition controls.
  - A "soft lockout" is a condition that is timed and will make additional attempts to correct the problem.
  - A "hard lockout" requires resetting the thermostat or turning the power switch off, and then back on.

DIAGNOSTIC CHART		
FAULT	LED INDICATION	LOCKOUT
Internal Circuit Board Failure	Steady On, No Flashing	Hard
Limit Switch/Airflow Problems	1 Flash With 3-Second Pause	Soft
Flame Sense Fault	2 Flashes With 3-Second Pause	Hard
Ignition Lockout Fault	3 Flashes With 3-Second Pause	Soft (1 hour retry)

# TROUBLESHOOTING

ISSUE	SOLUTION
Furnace will not light – <b>Blower does not turn on.</b>	<ol style="list-style-type: none"><li>1. Check the main fuse panel for a blown fuse.</li><li>2. The Furnace-installed breaker switch may be tripped or OFF – Contact a trained RV service provider.</li><li>3. The 12 VDC power is low; check the RV system voltage.</li><li>4. The Furnace may be in lockout. Reset the Furnace by switching the thermostat to OFF for 10 seconds, then switch the thermostat to ON. If air is in the propane line, repeat this process up to three times.</li><li>5. Check the intake and vents to make sure they are not blocked or obstructed.</li></ol>
Furnace will not light – <b>Blower does turn on.</b>	<ol style="list-style-type: none"><li>1. Air is in the propane line. Purge the air by turning on other appliances (like a cooktop) that are further downstream from the propane tanks.</li><li>2. The thermostat is not set to Heat or a high enough temperature. Adjust the thermostat.</li></ol>
Furnace shuts off before it reaches the desired temperature.	<ol style="list-style-type: none"><li>1. Check to make sure all the vents are open and not covered.</li><li>2. Check the air intake to make sure it is not blocked or obstructed.</li></ol>

# REPLACEMENT PARTS

**⚠ WARNING** ELECTRICAL SHOCK, FIRE, EXPLOSION AND/OR CARBON MONOXIDE HAZARD. Use only Dometic replacement parts and components, which are specifically approved for use with the Furnace. Failure to obey this warning could result in dangerous operation, property damage, serious injury, or death:

- For replacement part information, see the DF Series Furnace Parts List. For the most current information, visit [www.eDometic.com](http://www.eDometic.com).









## Chaudière série DF

**Modèles DFSAD12, DFSD12, DFSD16, DFSD20, DFMD16,  
DFMD20, DFMD25, DFMD30, DFMD35, DFLD35,  
DFLD40, DFLA35, DFLA40**

INTRODUCTION .....	2
INFORMATIONS GÉNÉRALES.....	4
AVANT L'INSTALLATION .....	6
INSTALLATION .....	16
TESTS .....	24
DÉPANNAGE .....	25
PIÈCES DE RECHANGE .....	25



### AVERTISSEMENT :

#### RISQUE DE DÉPART DE FEU OU D'EXPLOSION

Suivre ces consignes de sécurité à la lettre, sinon il y aurait risque de blessures graves, de mort ou de dégâts matériels.

- Ne pas stocker ni utiliser d'essence ou d'autres vapeurs ou liquides inflammables à proximité de cet appareil ou de tout autre.
- QUE FAIRE EN CAS D'ODEUR DE GAZ
  - Évacuer toutes les personnes du véhicule.
  - Couper l'arrivée de gaz à la bonbonne ou à la source.
  - Ne pas toucher d'interrupteur électrique ni utiliser de téléphone ou de radio dans le véhicule.
  - Ne pas démarrer le moteur du véhicule ou le groupe électrogène.
  - Contacter le fournisseur de gaz le plus proche ou un agent technique qualifié pour une réparation.
  - Si un fournisseur de gaz ou un agent technique qualifié n'est pas joignable, contacter la caserne de pompiers la plus proche.
  - Ne pas ouvrir l'arrivée de gaz tant que la ou les fuites de gaz n'ont pas été réparées.
- L'installation et la maintenance doivent être réalisées par un installateur qualifié, un centre de réparation ou le fournisseur de gaz.



**Lisez attentivement ces instructions. Ces instructions DOIVENT rester avec ce produit.**

# INTRODUCTION

Ce manuel est destiné à un agent technique agréé pour l'installation d'une chaudière Dometic série DF. Pour tout renseignement complémentaire, contacter Dometic. Le concept de la chaudière série DF (ci-après appelée « la chaudière ») a été certifié pour une installation dans un véhicule récréatif (ci-après appelé « VR ») comme une chaudière MSP Catégorie III. Suivre ces instructions pour garantir l'installation correcte de la chaudière. Suivre à la lettre les instructions d'installation de la chaudière, sinon cela pourrait annuler la garantie.

La Dometic Corporation se réserve le droit de modifier l'apparence et les caractéristiques techniques de l'appareil sans préavis.

## CONSIGNES DE SÉCURITÉ IMPORTANTES ET SYMBOLES UTILISÉS DANS LE DOCUMENT

Ce manuel contient des consignes de sécurité et des instructions pour aider l'utilisateur à éliminer ou réduire le risque d'accidents et de blessures.

### A. Reconnaître les consignes de sécurité



C'est le symbole d'alerte à la sécurité. Il signale des risques de blessures physiques. Obéir à tous les messages de sécurité qui suivent ce symbole pour éviter les risques de blessure ou de mort.

### B. Comprendre les mots-indicateurs

Un mot-indicateur identifie les messages de sécurité et les messages liés aux dégâts matériels, et signale le degré ou niveau de gravité du danger.

**AVERTISSEMENT** indique une situation dangereuse qui, si elle **N'EST PAS** évitée, peut causer la mort ou des blessures graves.

**ATTENTION** indique une situation dangereuse qui, si elle **N'EST PAS** évitée, peut causer des blessures mineures ou modérées.

**AVIS** est utilisé pour signaler des pratiques **NON** liées à une blessure physique.

**i** Fournit des renseignements additionnels sans rapport avec des blessures physiques.

### C. Directives supplémentaires



Lire et suivre toutes les consignes de sécurité et les instructions pour éviter tout risque de blessure ou de mort.

Lire et comprendre ces instructions avant d'installer ce produit.

L'installation incorrecte de ce produit peut causer des blessures graves ou la mort.

L'installation **DOIT** se conformer à tous les codes locaux ou nationaux applicables, y compris la toute dernière édition des normes suivantes :

#### ÉTATS-UNIS

- ANSI/NFPA70, Code national de l'électricité (CNE)
- ANSI/RVIA LV, Systèmes basse tension dans des véhicules récréatifs et aménagés
- ANSI/NFPA 1192, Code des véhicules récréatifs
- ANSI Z223.1, NFPA 54 Code national sur les gaz combustibles
- ANSI 1195, Roulottes de parc

#### CANADA

- CSA C22.1, Parties I et II, Code canadien de l'électricité
- CSA Z240 RV Series, véhicules récréatifs
- CAN/CGA B149, Code d'installation du gaz naturel et du propane

#### Pour les modèles DFLA35 et DFLA40 seulement

Cette chaudière est fabriquée pour une utilisation avec du gaz propane liquide (PL). Un ensemble a été fourni avec la chaudière pour permettre à un agent technique qualifié de convertir la chaudière pour une utilisation avec du gaz naturel. Toute conversion au gaz naturel doit se conformer aux codes locaux ou, en l'absence de codes locaux, au Code national sur les gaz combustibles, ANSI Z223.1/NFPA 54 Code d'installation du gaz naturel et du propane, outre la Norme pour les véhicules récréatifs NFPA1192 et le Code sur les véhicules récréatifs CSA Z240 RV Series.

# CONSIGNES DE SÉCURITÉ IMPORTANTES ET SYMBOLES UTILISÉS DANS LE DOCUMENT

## D. Messages de sécurité d'ordre général

**⚠ AVERTISSEMENT** Le non-respect des avertissements pourrait entraîner des dégâts matériels, des blessures graves ou la mort :

- Cette chaudière **DOIT** être installée par un agent technique qualifié.
- **NE PAS** modifier cette chaudière d'une quelconque manière. Une modification peut être extrêmement dangereuse.
- RISQUE DE DÉPART DE FEU OU D'EXPLOSION :
  - **NE PAS** stocker d'essence, de chiffons saturés d'huile ou d'essence ou d'autres vapeurs ou liquides inflammables à l'intérieur d'un compartiment de stockage.
  - **AVANT** de faire le plein ou de se garer près d'une pompe à essence, s'assurer que l'arrivée de gaz de **TOUS** les appareils au gaz PL (ventilés vers l'extérieur du VR) est fermée. Sinon, les vapeurs de pompe à essence risquent d'entrer en contact avec la flamme de la veilleuse d'un appareil au gaz PL et de s'enflammer.
  - Fermer l'arrivée de gaz PL à la bonbonne.
  - Utiliser uniquement avec le type de gaz approuvé pour la chaudière. Se reporter à la plaque signalétique de la chaudière.
  - Utiliser uniquement des pièces de rechange et composants Dometic, qui sont spécifiquement approuvés pour une utilisation avec la chaudière.
- AVERTISSEMENTS CRITIQUES LIÉS À L'INSTALLATION :
  - **NE PAS** installer cette chaudière si n'importe laquelle de ses pièces a été immergée.
  - Les bords de tôle sont coupants; faire attention en manipulant ou en touchant les bords.
  - Protéger les composants électriques de l'eau.
  - Protéger les matériaux de construction contre la dégradation résultant des échappements de gaz de l'unité de ventilation.
  - Le compartiment **DOIT** être fermé lorsque la chaudière fonctionne.
  - **NE PAS** installer de grillage sur l'admission d'air ou les bouches d'échappement pour quelque raison que ce soit.
- DANGER LIÉ AU MONOXYDE DE CARBONE :
  - Cette chaudière peut produire du monoxyde de carbone, un gaz inodore potentiellement mortel. Le brûleur et le système de ventilation **DOIVENT** être maintenus propres.
  - Les portes **DOIVENT** être hermétiquement fermées et le chapeau et l'unité de tirage **DOIVENT** être ajustés et hermétiquement fermés pour éviter l'entrée de monoxyde de carbone dans le VR.
  - **NE PAS** laisser de neige ou quelque objet que ce soit obturer le système d'échappement de la chaudière.
  - Les produits de combustion **DOIVENT** être correctement évacués dans l'atmosphère et tout l'air de combustion fourni au brûleur **DOIT** être puisé dans l'atmosphère extérieure.
  - Utiliser uniquement des pièces de rechange et composants Dometic, qui sont spécifiquement approuvés pour une utilisation avec la chaudière.
- RISQUE DE DÉCHARGE ÉLECTRIQUE :
  - S'assurer que la chaudière est débranchée de la prise secteur durant l'installation.
  - Les chaudières avec une fiche 12 V (c.c.) sont destinées à une batterie basse tension ou du courant continu seulement. Les chaudières c.c. sont conçues pour fonctionner sur du 12 V c.c. à masse négative seulement. **NE PAS** essayer de modifier la chaudière pour un système à masse positive ni la brancher directement sur du 120 ou du 240 V c.a.
  - **NE PAS** utiliser de chargeur de batterie pour alimenter des chaudières c.c., même lors de tests.
  - Utiliser uniquement des pièces de rechange et composants Dometic, qui sont spécifiquement approuvés pour une utilisation avec la chaudière.

# INFORMATIONS GÉNÉRALES

## MATÉRIEL FOURNI

(2) Support de montage	(2 ou 3) adaptateur de conduite (selon le modèle de chaudière)
Unité de ventilation	Disjoncteur 15 A (modèles DFMD35,DFLD35 et DFLD40 seulement)

## OUTILS ET MATÉRIEL REQUIS

Manomètre/tube en U	Volt-ohmmètre (15+ A)
Liquide détecteur de fuites de gaz	Clés
Lunettes de sécurité	Mastic de type RTV
Pâte à joints	Ruban d'aluminium (optionnel)

## A. Caractéristiques techniques du modèle

### DFSAD12, DFSD12, DFSD16, DFSD20 (modèles de petite chaudière)

MODÈLES	DFSAD12	DFSD12	DFSD16	DFSD20
TYPE DE GAZ	Gaz PL	Gaz PL	Gaz PL	Gaz PL
ENTRÉE BTU	12 000	12 000	16 000	18 000
SORTIE BTU	9 120	9 120	12 160	13 680
PRESSION STATIQUE DANS CONDUITE	0,2 cm C.E., 0 cm C.E. avant	0,2 cm C.E.	0,2 cm C.E.	0,2 cm C.E.
INTENSITÉ (A)	2,4*	3,4*	3,4*	4,8*
PUISSANCE (W)	34	41	56	34
ALIMENTATION (V C.C.)	12	12	12	12
AIR DE REPRISE MINIMUM	225,8 cm <sup>2</sup>	225,8 cm <sup>2</sup>	225,8 cm <sup>2</sup>	225,8 cm <sup>2</sup>

C.E. = colonne d'eau; \*Circuit dédié 15 A pour la chaudière

### DFMD16,DFMD20, DFMD25, DFMD30, DFMD35 (modèles de chaudière moyenne)

MODÈLES	DFMD16	DFMD20	DFMD25	DFMD30	DFMD35
TYPE DE GAZ	Gaz PL	Gaz PL	Gaz PL	Gaz PL	Gaz PL
ENTRÉE BTU	16 000	20 000	25 000	30 000	35 000
SORTIE BTU	12 160	15 200	19 000	22 800	25 840
PRESSION STATIQUE DANS CONDUITE	0,5 cm C.E.	0,2 cm C.E.	0,2 cm C.E.	0,2 cm C.E.	2,5 cm C.E.
INTENSITÉ (A)	4,2*	4,2*	7,5*	7,5*	11,1*
PUISSANCE (W)	50	50	90	90	132
ALIMENTATION (V C.C.)	12	12	12	12	12
AIR DE REPRISE	516,1 cm <sup>2</sup>	516,1 cm <sup>2</sup>	516,1 cm <sup>2</sup>	516,1 cm <sup>2</sup>	516,1 cm <sup>2</sup>
AIR DE REPRISE MINIMUM	419,3 cm <sup>2</sup>	419,3 cm <sup>2</sup>	419,3 cm <sup>2</sup>	419,3 cm <sup>2</sup>	419,3 cm <sup>2</sup>

C.E. = colonne d'eau; \*Circuit dédié 15 A pour la chaudière



# INFORMATIONS GÉNÉRALES

## DFLD35, DFLD40, DFLA35, DFLA40 (modèles de grande chaudière)

MODÈLES	DFLD35	DFLD40	DFLA35	DFLA40
TYPE DE GAZ	Gaz PL	Gaz PL	Gaz PL et gaz naturel	Gaz PL et gaz naturel
ENTRÉE BTU	35 000	40 000	35 000	40 000
SORTIE BTU	26 600	30 400	26 600	30 400
PRESSION STATIQUE DANS CONDUITE	0,2 cm C.E.	0,2 cm C.E.	0,2 cm C.E.	0,2 cm C.E.
INTENSITÉ (A)	12,5**	12,5**	2,5*	2,5*
PUISSANCE (W)	138	138	154	154
ALIMENTATION	12 V c.c.	12 V c.c.	12 V c.a.	12 V c.a.
AIR DE REPRISE	516,1 cm <sup>2</sup>	516,1 cm <sup>2</sup>	516,1 cm <sup>2</sup>	516,1 cm <sup>2</sup>
AIR DE REPRISE MINIMUM	419,3 cm <sup>2</sup>	419,3 cm <sup>2</sup>	419,3 cm <sup>2</sup>	419,3 cm <sup>2</sup>

C.E. = colonne d'eau; \*Circuit dédié 15 A pour la chaudière; \*\*Circuit dédié 20 A pour la chaudière

## B. Dimensions du modèle

### DFSAD12, DFSD12, DFSD16, DFSD20 (modèles de petite chaudière)

COMPOSANT	LARGEUR	HAUTEUR	PROFONDEUR	POIDS
Boîtier	30,5 cm	17,7 cm	50,8 cm	Chaudière 9,5 kg Emballée 10,8 kg
Petit évent	11,2 cm	11,2 cm	3,65 cm	
Porte	37,4 cm	24,7 cm	1,2 cm	
Grille intérieure	21,5 cm	31,8 cm	1,2 cm	
Garniture	35,8 cm	25,7 cm	0,31 cm	

### DFMD16, DFMD20, DFMD25, DFMD30, DFMD35 (modèles de chaudière moyenne)

COMPOSANT	LARGEUR	HAUTEUR	PROFONDEUR	POIDS
Boîtier	41,9 cm	17,7 cm	50,8 cm	Chaudière 11,7 kg Emballée 13,1 kg
Porte standard	48,4 cm	24,1 cm	1,1 cm	
Porte affleurante	52,3 cm	27,9 cm	0,5 cm	
Petit évent	11,2 cm	11,2 cm	3,65 cm	

### DFLD35, DFLD40, DFLA35, DFLA40 (modèles de grande chaudière)

COMPOSANT	LARGEUR	HAUTEUR	PROFONDEUR	POIDS
Boîtier	41,9 cm	22,8 cm	50,8 cm	Chaudière 17,6 kg Emballée 20,8 kg
Porte	48,8 cm	23,4 cm	0,6 cm	
Cadran encastré	52,2 cm	29,2 cm	0,9 cm	
Petit évent	11,2 cm	11,2 cm	3,65 cm	

# AVANT L'INSTALLATION

## A. Identification de l'emplacement d'installation de la chaudière

**⚠ AVERTISSEMENT** Le non-respect des avertissements pourrait entraîner des dégâts matériels, des blessures graves ou la mort :

- Installer la chaudière seulement à un endroit et dans la position spécifiés dans ces instructions.
- Fournir de l'air de combustion et de ventilation adéquat à l'espace de la chaudière, comme spécifié dans ces instructions.
- Les produits de combustion doivent être déchargés à l'extérieur. Raccorder cette chaudière uniquement à un système de ventilation agréé, comme spécifié dans ces instructions.
- Comme spécifié dans ces instructions, toujours installer la chaudière dans la plage de montée de température prévue pour la chaudière, avec un système de conduites affichant une pression statique externe dans la plage autorisée. Se référer à la plaque signalétique de la chaudière.
- **NE PAS** installer la chaudière près de pièces à bascule, de pièces coulissantes et de portes (pour les distances de dégagement, se référer aux codes locaux), à un endroit où les fils électriques, les tuyaux ou d'autres objets interféreraient avec l'installation ou le fonctionnement de la chaudière ou à un endroit situé à moins de 30,5 cm au-dessus d'un chauffe-eau (sauf si un écran thermique est installé au-dessus du chauffe-eau).
- **NE PAS** installer la chaudière directement sur un sol combustible qui entrave la circulation d'air de reprise, par exemple, moquette, carrelage, matériau souple (comme le vinyle) ou d'autres matériaux combustibles autres qu'un plancher de bois.
- **NE PAS** installer la chaudière là où la distance minimum d'objets combustibles ne peut pas être maintenue. Une exposition excessive à de l'air de combustion contaminé se soldera par des problèmes de sécurité et de performance.

**i** La chaudière doit être accessible pour réparations.

### Détermination du type d'installation et des distances de dégagement requis

- Placer la chaudière près du point central du VR, à 90 cm minimum du détendeur de gaz, pour une application à une chaudière. La chaudière doit être installée à travers un mur extérieur. Une distance de 6 mm jusqu'à la conduite doit être prévue, à pas plus de 90 cm de la chaudière, sauf avec des conduites en vinyle fixées par fil métallique listées UL. Tous les matériaux de conduite utilisés doivent être prévus pour une utilisation continue à 93 °C minimum.
- Déterminer l'orientation d'utilisation (horizontale ou verticale).
  - **Installation horizontale** : placer la chaudière de sorte que la ligne de gaz soit au-dessus ou à l'arrière.
  - **Installation verticale** : le haut de la chaudière devient le côté droit de la chaudière. Placer la chaudière de sorte que l'évent soit au niveau du sol et la ligne de gaz à droite ou à l'arrière.
- Identifier les distances de dégagement requises entre la chaudière et les matériaux de construction entourant la chaudière pour permettre une circulation d'air adéquate. Se référer aux sections "Distance minimum de matériaux combustibles" et "Distance adéquate de l'admission d'air de reprise".

### Distance minimum de matériaux combustibles

Les distances minimums permises entre la surface de la chaudière et les objets combustibles (planche, mur, sol, etc.) sont indiquées dans le tableau.

**i** La chaudière **NE PEUT PAS** être complètement enclouonnée en utilisant ces dimensions minimums.

DISTANCE DE MATÉRIAUX COMBUSTIBLES*	Haut	Côtés	Arrière	Bas (jusqu'aux têtes de vis)
MODÈLES PETITS ET MOY., ORIENTATION VERTICALE/HORIZONTALE	12 mm	12 mm	12 mm	0 mm
GR. MODÈLES, ORIENTATION VERTICALE/HORIZONTALE	12 mm	25 mm	12 mm	0 mm

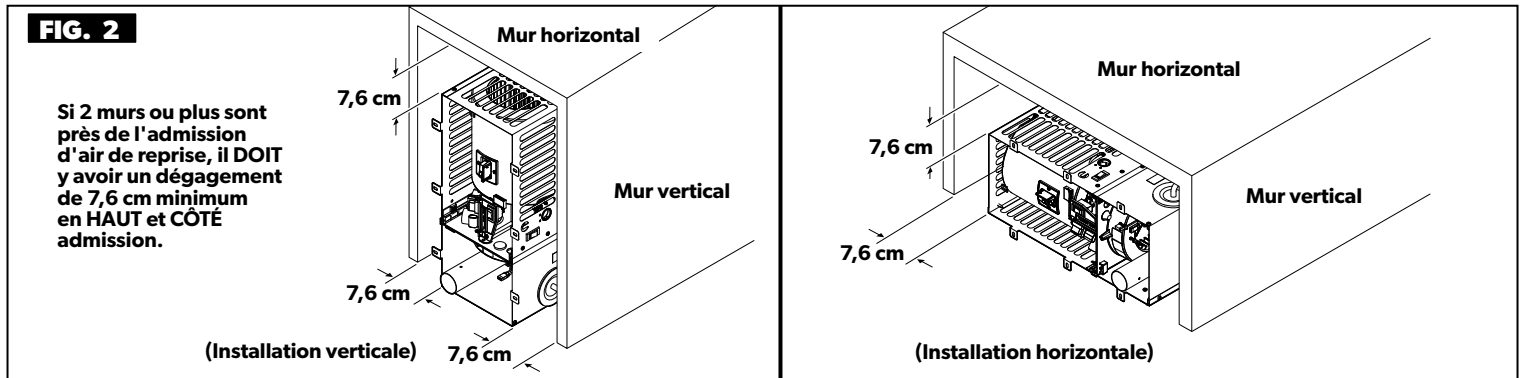
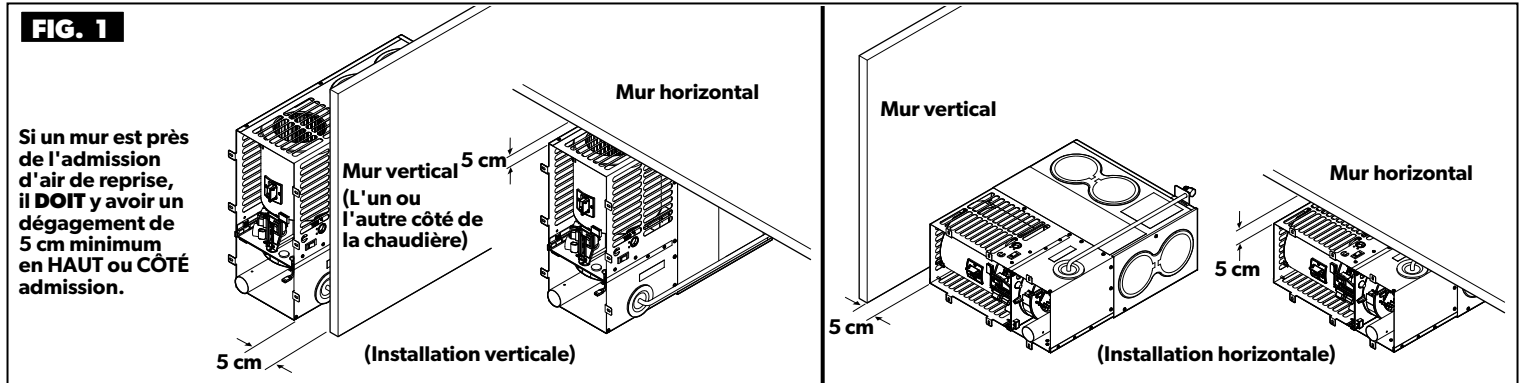
\*Les matériaux combustibles incluent la moquette, le vinyle, le carrelage, le contreplaqué ou des matériaux de construction similaires.

# AVANT L'INSTALLATION

## Distance adéquate de l'admission d'air de reprise

**⚠ AVERTISSEMENT** Quand une chaudière est installée de sorte que les conduites d'alimentation acheminent l'air mis en circulation par la chaudière jusqu'à l'extérieur de l'espace contenant la chaudière, l'air de reprise devra aussi être géré par des conduites hermétiquement raccordées au boîtier de la chaudière et se terminant à l'extérieur de l'espace contenant la chaudière. Respecter cette consigne, sinon il y aurait risque de dégâts matériels, de blessures graves ou de mort.

**AVIS** Les chaudières **DOIVENT** avoir au moins l'air de reprise minimum indiqué à la section "A. Caractéristiques techniques du modèle" on page 4 et 5.

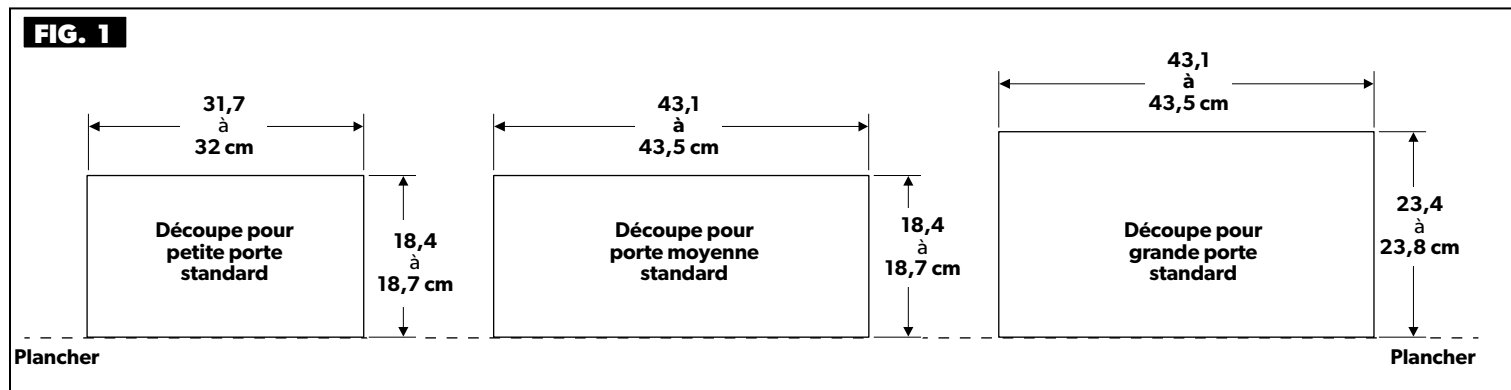


# AVANT L'INSTALLATION

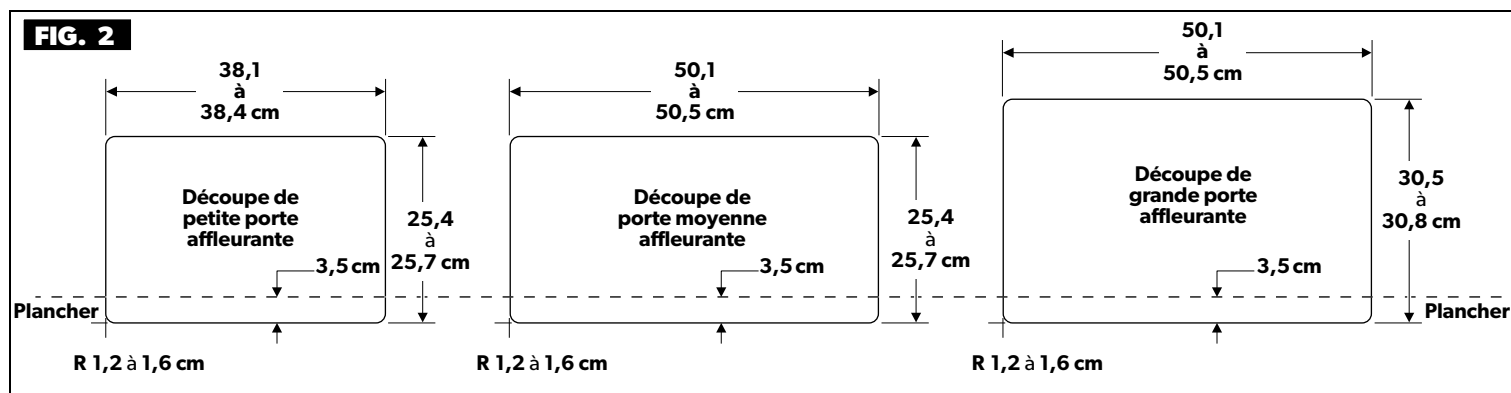
## B. Détermination d'une option d'installation de porte et dimensions de découpe

- Déterminer si le VR est de configuration à porte standard, porte affleurante ou petit événement.
- Découper une ouverture dans le mur latérale adaptée à l'option d'installation de la porte.

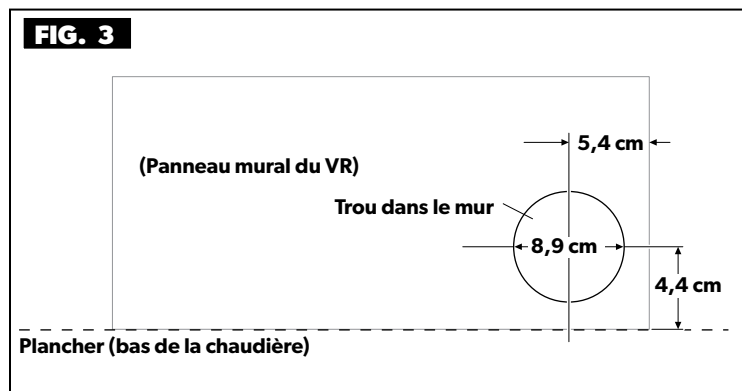
### Installation de portes standard



### Installation de portes affleurantes



### Installation de petits événements



- Il n'y a **PAS** de découpe dans la porte sur l'extérieur du VR pour l'installation d'un petit événement. La découpe est un trou dans le côté du VR utilisé pour ventiler la chaudière à l'extérieur du VR.

**i** Un accès doit être fourni directement à l'avant de la chaudière à l'intérieur du VR pour sa dépose lors d'une maintenance.

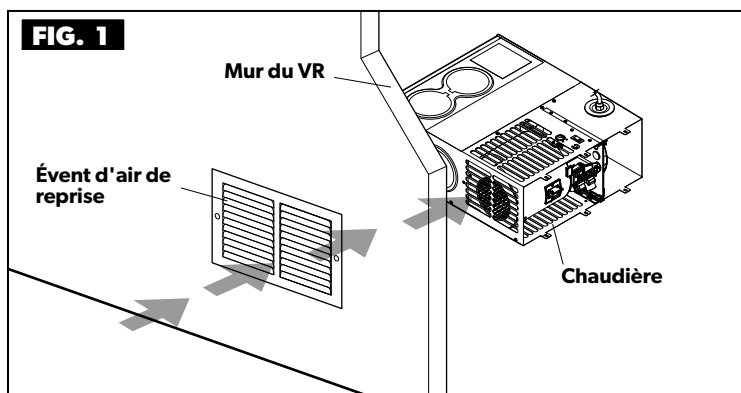
## C. Conduites

**⚠ AVERTISSEMENT** Le non-respect des avertissements pourrait entraîner des dégâts matériels, des blessures graves ou la mort :

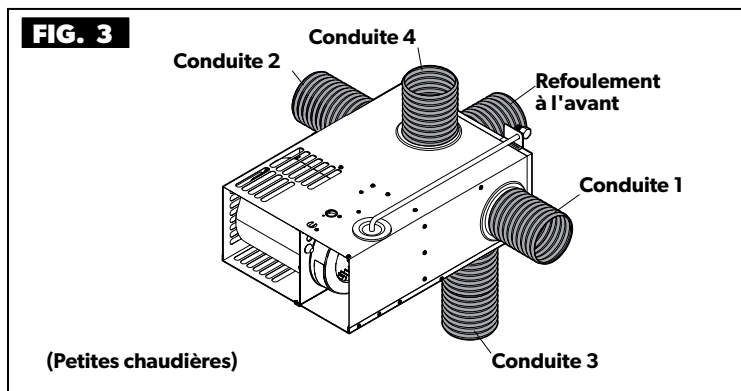
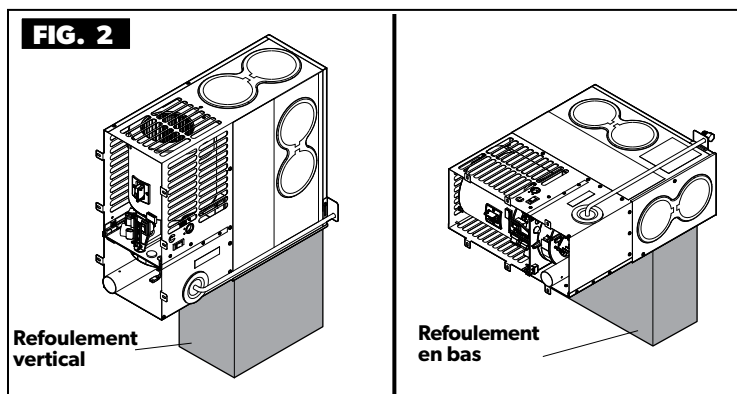
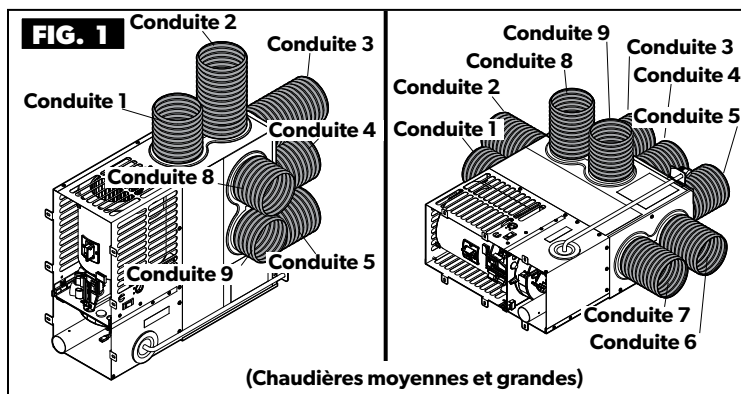
- **NE PAS** installer de grilles à registre de plancher dans un rayon de 61 cm des bouches d'air de reprise.
- **NE PAS** utiliser de conduites de taille insuffisante, ce qui peut causer une limitation des hautes températures.
- **NE PAS** utiliser de conduite de taille excessive, ce qui peut causer une circulation d'air inadéquate à partir des registres. Lorsque les conduites rigides sont à 3,8 cm de profondeur, des conduites flexibles additionnelles pourront être nécessaires pour maintenir le débit d'air requis.
- Les conduites rigides **DOIVENT** être hermétiquement raccordées à la chaudière et au sol.
- Une distance de 6 mm jusqu'à la conduite doit être prévue, à pas plus de 90 cm de la chaudière, sauf avec des conduites en vinyle fixées par fil métallique listées UL. Tous les matériaux de conduite utilisés doivent être prévus pour une utilisation continue à 93 °C.
- Les grilles à registre de plancher **NE DOIVENT PAS** être installées directement sous le thermostat.

### Configuration des voies d'air de reprise

**i** Garder tous les passages d'air de reprise dégagés pour permettre à la chaudière de fonctionner correctement. S'assurer que les dimensions totales des bouches d'air de reprise sont conformes aux exigences de dégagement spécifiées en "A. Caractéristiques techniques du modèle" on page 4 et page 5. **NE PAS** boucher la voie d'air de reprise avec une conduite.



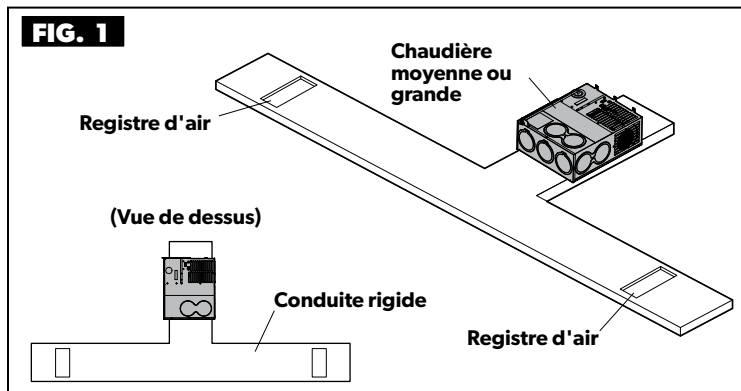
### Identification de l'emplacement des conduites



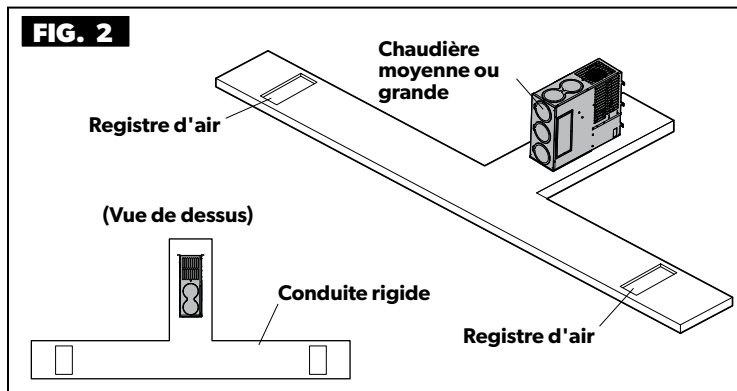
# AVANT L'INSTALLATION

## Exemples de configuration de refoulement d'air

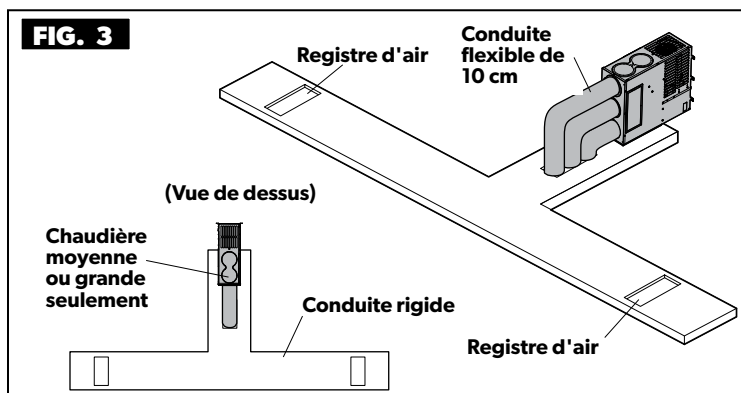
Les figures suivantes offrent une représentation visuelle des exigences de refoulement détaillées dans les tableaux "Exigences de refoulement d'air", aux page 11 et page 12. Ces exemples montrent des installations verticales et horizontales, en utilisant différents modèles de chaudière et options de conduite.



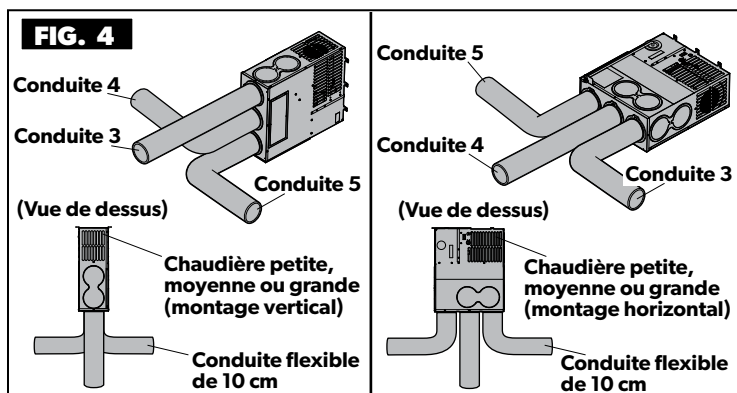
- Chaudière horizontale – Sortie en bas dans une conduite rigide



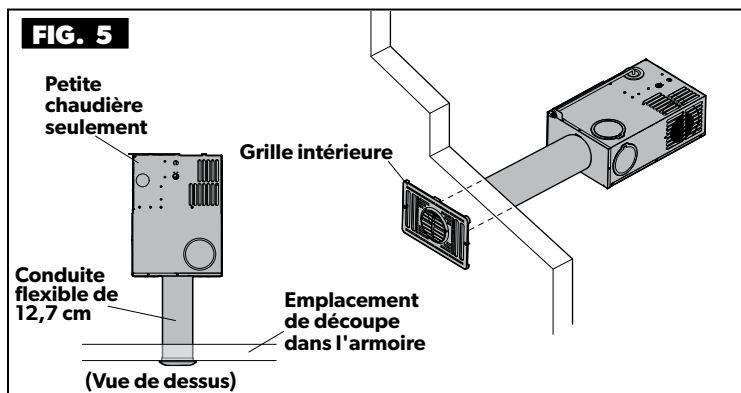
- Chaudière verticale – Sortie en bas dans une conduite rigide



- Conduites flexibles de 10 cm dans une conduite rigide
- i** Pour les chaudières moyennes et grandes : les conduites 8 et 9 sont seulement utilisées pour des conduites additionnelles et non pas pour calculer la surface de refoulement requise illustrée en bas de la page 11.



- Veiller à utiliser le nombre minimum de conduites flexibles de 10 cm requis pour votre taille de modèle. Voir "Exigences de refoulement d'air" on page 11 et page 12.



- Les conduites de 12,7 cm sur 77,4 cm de longueur doivent avoir une conduite de 10 cm ajoutée au système.

- i** Pour faciliter la dépose de la chaudière par la découpe de la grille pour maintenance, lorsqu'une grille intérieure avant est utilisée, orienter la grille dans la direction de la chaudière : horizontale si la chaudière est horizontale, verticale si la chaudière est verticale.


# AVANT L'INSTALLATION

## Exigences de refoulement d'air

		HORIZONTALE – SORTIE EN BAS DANS UNE CONDUITE DE SOL RIGIDE	VERTICALE – SORTIE EN BAS DANS UNE CONDUITE DE SOL RIGIDE	HORIZONTALE OU VERTICALE – UTILISER LES CONDUITES 3, 4 ET 5 DANS UNE CONDUITE DE SOL RIGIDE	CONDUITES FLEXIBLES DE 10 CM	CONDUITES FLEXIBLES DE SORTIE AVANT DE 12,7 CM
GRAND	<b>DFL40</b>	Débit minimum (litres/min)				
		6 229	4 955	4 672	6 088	Sans objet
	<b>REFOULEMENT REQUIS</b>	Sortie en bas de 10 cm x 25,4 cm <b>PLUS</b> 1 conduite flexible de 10 cm (pour conduite rigide à moins de 6,3 cm de profondeur). Conduite 6 ou 7 recommandée.	Une sortie en bas de 12,7 cm x 24,7 cm n'exige pas de conduites additionnelles.	Orientation horizontale ou verticale. Utiliser les conduites 3, 4 et 5.	Trois conduites <b>MINIMUM</b> . Quatre conduites recommandées.	Sans objet
	<b>DFL35</b>	Débit minimum (litres/min)				
		5 663	4 955	4 672	6 088	Sans objet
	<b>REFOULEMENT REQUIS</b>	Sortie en bas de 10 cm x 25,4 cm <b>PLUS</b> 1 conduite flexible de 10 cm (pour conduite rigide à moins de 6,3 cm de profondeur). Conduite 6 ou 7 recommandée.	Une sortie en bas de 12,7 cm x 24,7 cm n'exige pas de conduites additionnelles.	Orientation horizontale ou verticale. Utiliser les conduites 3, 4 et 5.	Trois conduites <b>MINIMUM</b> . Quatre conduites recommandées.	Sans objet
		HORIZONTALE – SORTIE EN BAS DANS UNE CONDUITE DE SOL RIGIDE	VERTICALE – SORTIE EN BAS DANS UNE CONDUITE DE SOL RIGIDE	HORIZONTALE OU VERTICALE – UTILISER LES CONDUITES 3, 4 ET 5 DANS UNE CONDUITE DE SOL RIGIDE	CONDUITES FLEXIBLES DE 10 CM	CONDUITES FLEXIBLES DE SORTIE AVANT DE 12,7 CM
MOYEN	<b>DFM35</b>	Débit minimum (litres/min)				
		6 371	4 389	4 389	8 070	Sans objet
	<b>REFOULEMENT REQUIS</b>	Sortie en bas de 10 cm x 25,4 cm <b>PLUS</b> 1 conduite flexible de 10 cm (pour conduite rigide à moins de 6,3 cm de profondeur). Conduite 6 ou 7 recommandée.	Une sortie en bas de 12,7 cm x 24,7 cm n'exige pas de conduites additionnelles.	Orientation horizontale ou verticale. Utiliser les conduites 3, 4 et 5.	Quatre conduites <b>MINIMUM</b> .	Sans objet
	<b>DFM30</b>	Débit minimum (litres/min)				
		5 946	4 247	4 389	6 229	Sans objet
	<b>REFOULEMENT REQUIS</b>	Sortie en bas de 10 cm x 25,4 cm <b>PLUS</b> 1 conduite flexible de 10 cm (pour conduite rigide à moins de 6,3 cm de profondeur). Conduite 6 ou 7 recommandée.	Une sortie en bas de 12,7 cm x 24,7 cm n'exige pas de conduites additionnelles.	Orientation horizontale ou verticale. Utiliser les conduites 3, 4 et 5.	Trois conduites <b>MINIMUM</b> .	Sans objet
	<b>DFM25</b>	Débit minimum (litres/min)				
		4 955	4 530	4 530	5 380	Sans objet
	<b>REFOULEMENT REQUIS</b>	Sortie en bas de 10 cm x 25,4 cm (258 cm <sup>2</sup> ).	Une sortie en bas de 12,7 cm x 24,7 cm n'exige pas de conduites additionnelles.	Orientation horizontale ou verticale. Utiliser les conduites 3, 4 et 5.	Trois conduites <b>MINIMUM</b> .	Sans objet
	<b>DFM20</b>	Débit minimum (litres/min)				
	3 822	2 406	3 256	132	Sans objet	
<b>REFOULEMENT REQUIS</b>	Sortie en bas de 10 cm x 25,4 cm (258 cm <sup>2</sup> ).	Une sortie en bas de 12,7 cm x 24,7 cm n'exige pas de conduites additionnelles.	Orientation horizontale ou verticale. Utiliser deux conduites quelconques parmi les suivantes : 3, 4 ou 5.	Deux conduites <b>MINIMUM</b> .	Sans objet	
<b>DFM16</b>	Débit minimum (litres/min)					
	3 822	2 406	3 256	132	Sans objet	
<b>REFOULEMENT REQUIS</b>	Sortie en bas de 10 cm x 25,4 cm (258 cm <sup>2</sup> ).	Une sortie en bas de 12,7 cm x 24,7 cm n'exige pas de conduites additionnelles.	Orientation horizontale ou verticale. Utiliser deux conduites quelconques parmi les suivantes : 3, 4 ou 5.	Deux conduites <b>MINIMUM</b> .	Sans objet	

# AVANT L'INSTALLATION

		UTILISATION HORIZONTALE OU VERTICALE (CONDUITES 3, 4 ET 5) OU SORTIE EN BAS DANS UNE CONDUITE DE SOL RIGIDE	CONDUITES FLEXIBLES DE 10 CM	CONDUITES FLEXIBLES DE SORTIE AVANT DE 12,7 CM
PETIT	DFS20	Débit minimum (litres/min)		
		Sans objet	3 681	2 605
	REFOULEMENT REQUIS	Sans objet	Deux conduites flexibles de 10 cm – une du côté droit et une du côté gauche, selon un montage horizontal ou vertical.	Une conduite de 12,7 cm <b>OU</b> deux conduites de 10 cm (une conduite de 12,7 cm peut être réduite à 10 cm si nécessaire)
	DFS16	Débit minimum (litres/min)		
		Sans objet	3 114	2 321
	REFOULEMENT REQUIS	Sans objet	Deux conduites flexibles de 10 cm – une du côté droit et une du côté gauche, selon un montage horizontal ou vertical.	Une conduite de 12,7 cm <b>OU</b> deux conduites de 10 cm (une conduite de 12,7 cm peut être réduite à 10 cm si nécessaire)
	DFS12	Débit minimum (litres/min)		
		Sans objet	90	2 265
	REFOULEMENT REQUIS	Sans objet	Deux conduites flexibles de 10 cm – une du côté droit et une du côté gauche, selon un montage horizontal ou vertical.	Une conduite de 12,7 cm <b>OU</b> deux conduites de 10 cm (une conduite de 12,7 cm peut être réduite à 10 cm si nécessaire)
	DFSA12 (BASSE TENSION)	Débit minimum (litres/min)		
		Sans objet	Sans objet	1 699
	REFOULEMENT REQUIS	Sans objet	Sans objet	Une conduite avant de 12,7 cm <b>SEULEMENT</b>

 Débit d'air : en pieds cubes par minute, avec un système froid (CFM à froid).

Registres : les grilles à registre d'air de 10 cm x 25,4 cm font mieux circuler l'air que les registres en plastique ronds de 10 cm. L'utilisation de registres ronds de 10 cm pourra exiger des conduites additionnelles.

## Refolement requis

	MODÈLES	SURFACE DE REFOULEMENT REQUISE
PETIT	DFSA12	Grille avant ou 96,7 cm <sup>2</sup>
	DFS (12, 16 et 20)	154,8 cm <sup>2</sup>
MOYEN	DFM (16 et 20)	154,8 cm <sup>2</sup> avec conduite flexible de 10 cm
	DFM (25 et 30)	232,2 cm <sup>2</sup> avec conduite flexible de 10 cm
	DFM35	309,6 cm <sup>2</sup> avec conduite flexible de 10 cm
	DFM (30 et 35), orientation horizontale, en bas	309,6 cm <sup>2</sup> (en bas + conduite de 10 cm)
	DFM (16, 20 et 25), orientation horizontale, en bas	258 cm <sup>2</sup> (en bas seulement)
	DFM, orientation horizontale, en bas	309,6 cm <sup>2</sup> (en bas seulement)
GRAND	DFL (35 et 40)	232,2 cm <sup>2</sup> avec conduite flexible de 10 cm
	DFL (35 et 40), orientation horizontale, en bas	309,6 cm <sup>2</sup> (en bas + conduite de 10 cm)
	DFL (35 et 40), orientation verticale, en bas	309,6 cm <sup>2</sup> (en bas seulement)

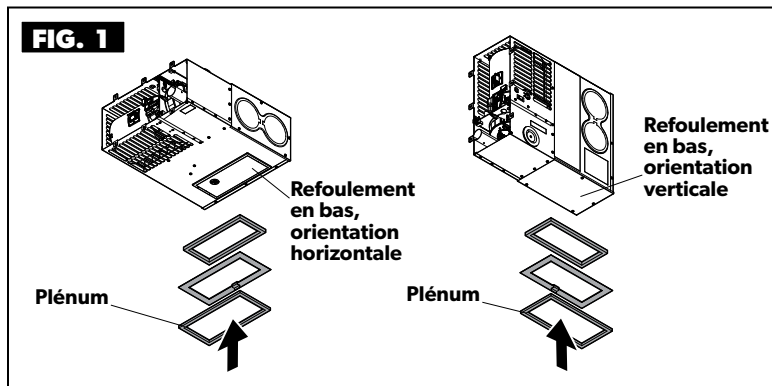


# AVANT L'INSTALLATION

## Installation du système de refoulement au sol

**i** Lire **AVANT** de continuer :

- Chaque ouverture de conduite de 10 cm fournit 77,4 cm<sup>2</sup> de surface de refoulement. Pour chaque registre fermable, fournir 77,4 cm<sup>2</sup> de surface de refoulement de conduite non fermable. S'assurer que toutes les exigences de dégagement et température sont satisfaites et vérifier l'étanchéité.
- Une conduite menant à un vide d'air non ventilé sans air de reprise, par exemple une zone de bac à eaux usées, ne compte pas dans le calcul des exigences minimums de refoulement.
- Des conduites de 5 cm finissant dans l'espace d'air de reprise comptent dans le calcul de la surface de refoulement minimum et le débit minimum (CFM).
- Le cas échéant, une chaudière moyenne et grande peut être installée comme un système de refoulement en bas, en position horizontale ou verticale.



- Découper l'ouverture pour le système de refoulement au sol dans le plancher du VR.
  - **Porte standard** : voir "Installation de refoulement au sol à porte standard" on page 14.
  - **Porte affleurante** : voir "Installation de refoulement au sol à porte affleurante" on page 14.
  - **Petit évent** : voir "Installation de refoulement au sol pour petit évent" on page 14.
- Enlever la plaque ou le côté de refoulement en bas.
- Attacher les ergots courbés de la plaque du plénum sur la découpe dans le sol.
- Placer le joint sur le plénum autour de l'ouverture dans le sol.

**i** Des plaques de plénum et joints sont proposés à l'achat par Dometic. Si un joint ou une plaque de plénum Dometic n'est pas utilisé(e), raccorder hermétiquement la chaudière au système de conduites rigides avec du ruban d'aluminium, ou utiliser un joint prévu pour des températures de 148,8 °C minimum et UL94-V0.

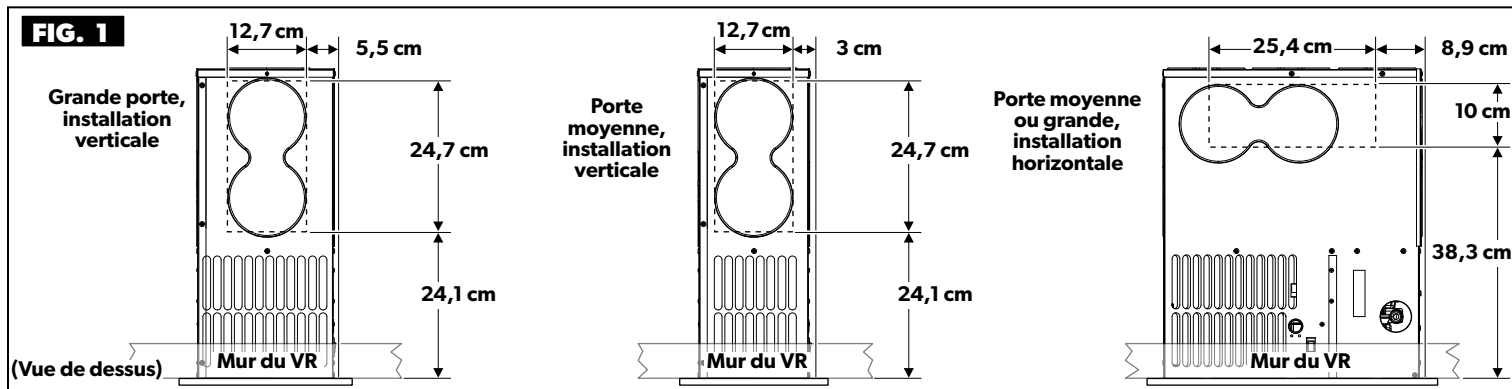
**Chaudière à montage vertical** : ensemble 30205

**Chaudière à montage horizontal** : ensemble 30261

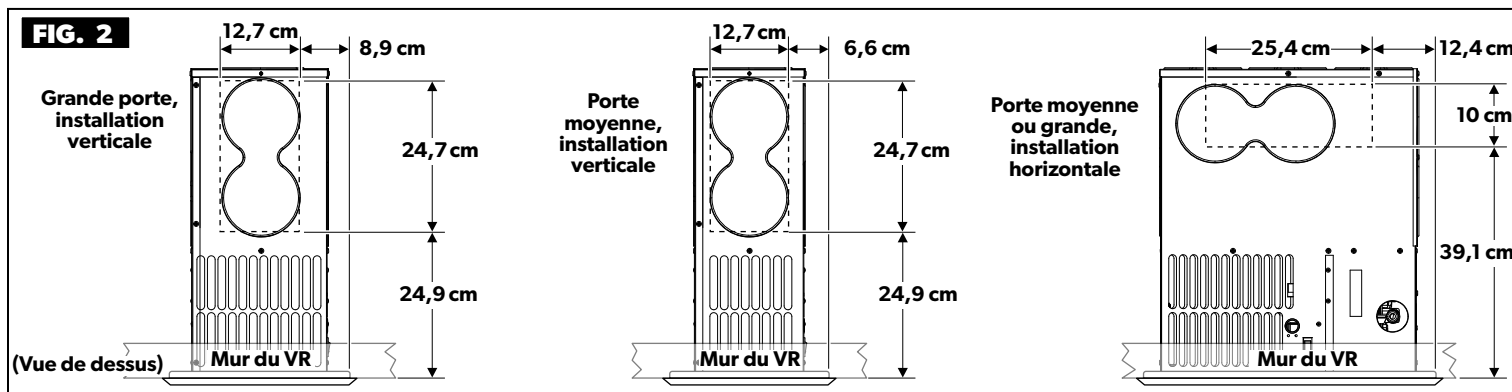
# AVANT L'INSTALLATION

## Installation de refoulement au sol à porte standard

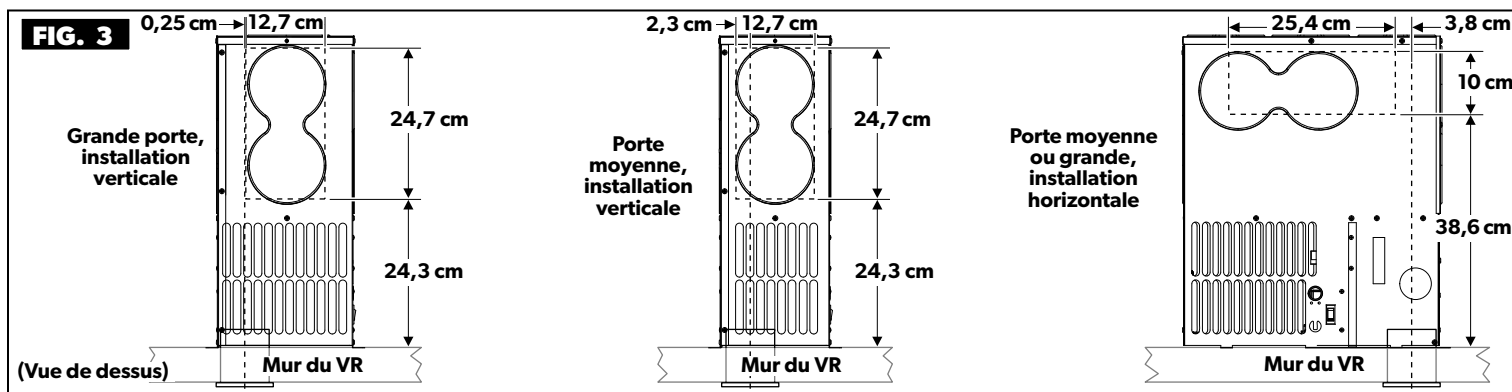
**i** Les lignes en pointillé autour des plaques défonçables sur les figures représentent la position du trou dans le sol.



## Installation de refoulement au sol à porte affleurante

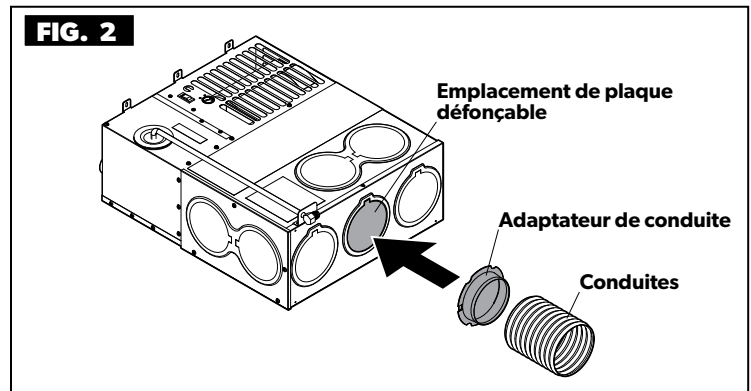
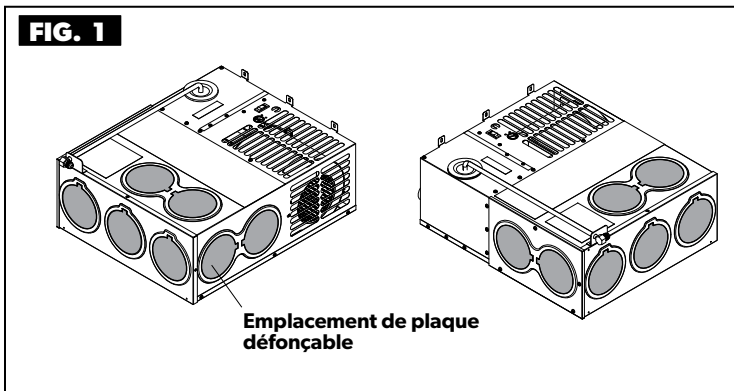


## Installation de refoulement au sol pour petit évent



# AVANT L'INSTALLATION

## Installation des adaptateurs de conduite



- Enlever les plaques défonçables aux sorties souhaitées.
- Couvrir toutes les plaques défonçables inutilisées.

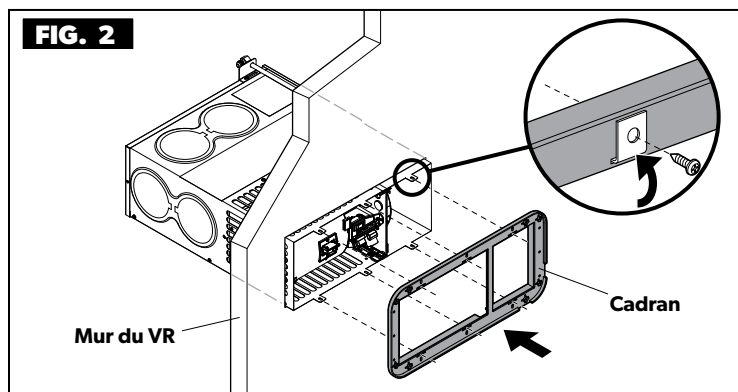
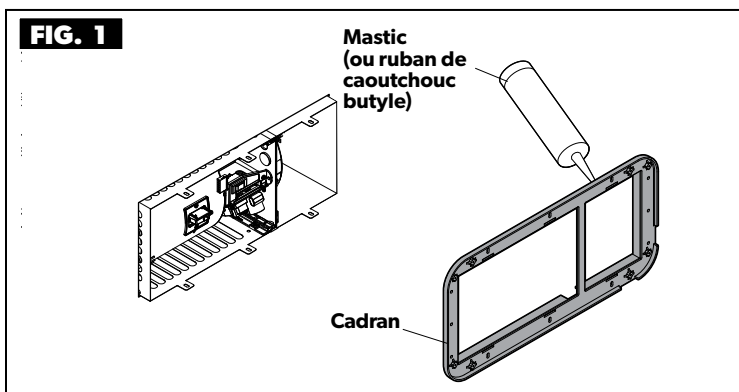
**i** Si une plaque défonçable est accidentellement enlevée, des couvercles sont proposés à l'achat par Dometic.  
**Couvercle : 31361**

- Installer les adaptateurs de conduite (fournis) en insérant la bride sur le trou du boîtier avant de tourner l'adaptateur de conduite de 90° pour verrouiller l'ergot dans la fente du boîtier.
- Attacher solidement la conduite à l'adaptateur de conduite. Si des vis sont utilisées pour fixer la conduite, ne pas utiliser de vis de plus de 12 mm de long.

## D. Installation de la chaudière

- Passer à la section d'installation appropriée pour installer la chaudière :
  - **Porte standard** : voir "A. Installation de la chaudière avec l'option porte standard" on page 16.
  - **Porte affleurante** : voir "B. Installation de la chaudière avec l'option porte affleurante" on page 17.
  - **Petit événement** : voir "C. Installation de la chaudière avec l'option petit événement" on page 18.

## A. Installation de la chaudière avec l'option porte standard

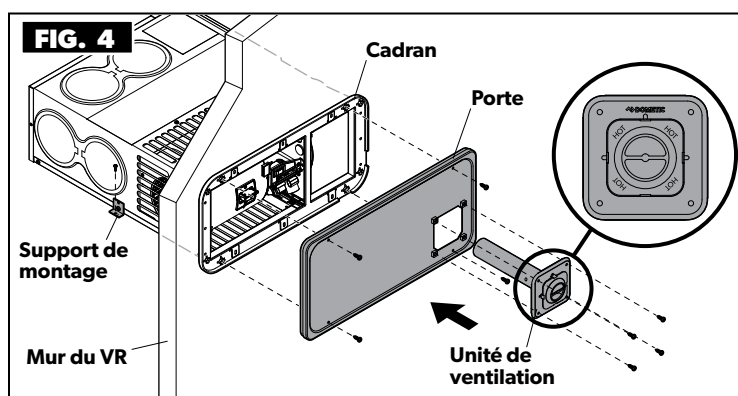
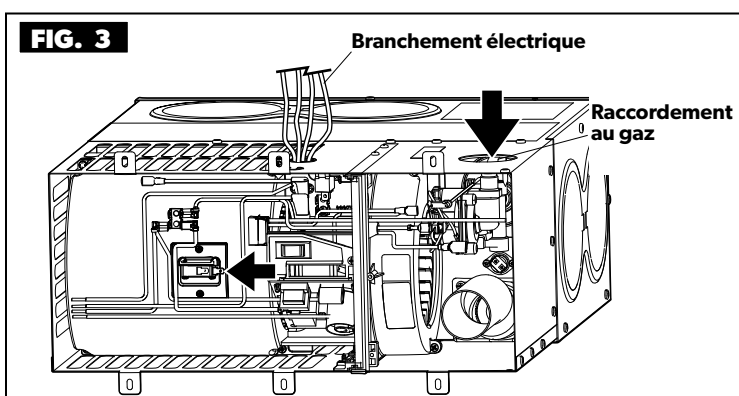


**i** L'option porte standard exige que la découpe rectangulaire dans le mur pour l'ouverture de la porte ait des angles nettement coupés correspondant à la chaudière. La chaudière doit pouvoir glisser librement par l'ouverture.

- Placer la chaudière à travers la découpe à environ 2,5 – 5 cm du mur.
- Appliquer du mastic RTV ou du ruban de caoutchouc butyle sur l'ensemble de la bride arrière du cadran.

- Placer le cadran sur les ergots en affleurant avec le bord avant du boîtier. Veiller à ce que le bord du cadran marqué « TOP » soit tourné vers le haut du boîtier. Courber les ergots du boîtier au-dessus du boîtier.
- Pousser la chaudière et le cadran contre le mur latéral. Attacher avec six vis à tête plate type A #6 ou #8-18 (non fournies) insérées dans les ergots courbés, le cadran et le mur du VR.
- Placer six vis supplémentaires (trois par côté) sur la gauche et la droite du boîtier. Le cadran **DOIT** être bien plaqué contre le mur. Enlever l'excès de mastic.

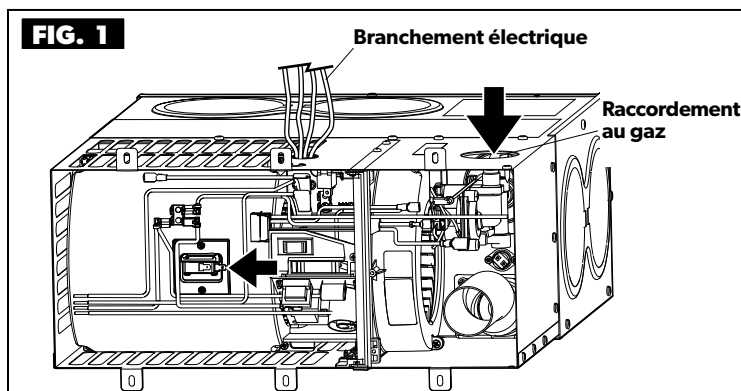
**i** **NE PAS** déformer le cadran durant sa mise en place. Le cadran doit être bien ajusté pour maintenir un joint hermétique.



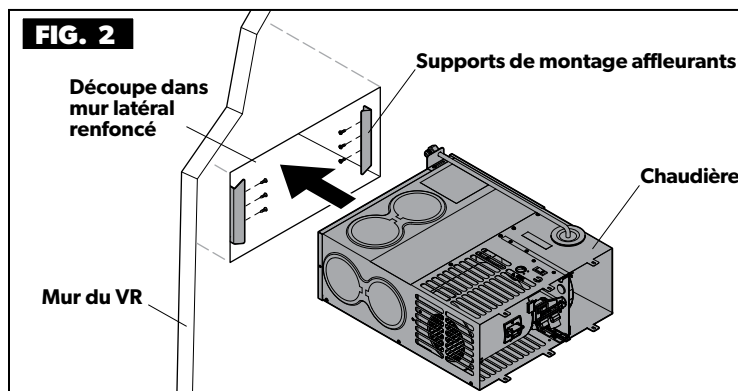
- Faire les branchements électriques. Voir "H. Branchement électrique" on page 22.
- Raccorder la ligne de gaz au robinet. Voir "F. Raccordement au gaz" on page 20.

- Aligner la porte sur le cadran.
- Fixer la porte avec quatre vis autotaraudeuses #6-19 x 13 mm pour le plastique (non fournies). Enfiler les vis dans la porte et les bosses du cadran.
- Insérer l'unité de ventilation (fournie) dans le trou de la porte, en veillant à ce qu'elle entre dans le tube de la chambre. S'assurer que l'unité de ventilation est alignée sur le texte Dometic en HAUT.
- Fixer l'unité de ventilation sur la porte avec quatre vis inox pour échappement (fournies avec la porte).
- Pour fixer la chaudière au sol du VR, passer à "D. Installation des supports de montage" on page 19.

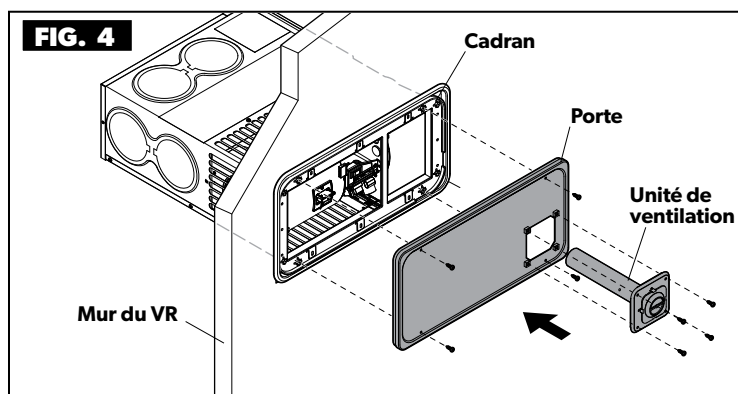
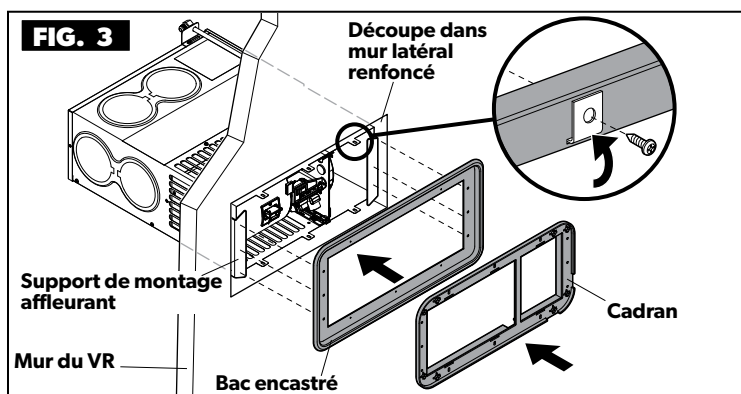
## B. Installation de la chaudière avec l'option porte affleurante



- i** Avec les systèmes à porte affleurante, la porte doit être installée sur une plate-forme de 2,5 cm de haut, pour que sa découpe soit au niveau de la surface du sol. Sinon, le mur latéral devra être évidé par le bas jusqu'à la profondeur du cadran, pour créer une poche. L'option porte affleurante exige des angles d'un rayon de 12 mm.
- Mettre en place la chaudière à travers la découpe.
  - Faire les branchements électriques. Voir "H. Branchement électrique" on page 22.
  - Raccorder la ligne de gaz au robinet. Voir "F. Raccordement au gaz" on page 20.



- Utiliser trois vis (non fournies) de chaque côté de la chaudière pour fixer les supports de montage affleurants au mur. Laisser 8 mm d'espace entre le support et l'extérieur du mur.
- Appliquer du mastic RTV ou du ruban de caoutchouc butyle sur l'arrière du cadran et des brides du bac encastré, à son point de chevauchement avec le mur.
- Tirer sur le bord avant de la chaudière pour le faire dépasser du mur d'environ 5 cm.



- Glisser le bac encastré sur la chaudière et placer le cadran sur les ergots de montage.
- Pousser le bac encastré et le cadran vers l'avant jusqu'à ce que six ergots de boîtier s'enclenchent dans les fentes du cadran.
- Courber les ergots du boîtier vers l'extérieur du cadran.
- Aligner les trois trous supérieurs du cadran sur ceux du bac encastré, puis enfiler six vis à tête plate type AB #6 ou #8 x 12 mm (trois en haut et trois en bas), ou des vis autotaraudeuses (non fournies), dans les trous supérieurs et inférieurs du cadran. Serrer les vis pour attacher le cadran au bac encastré.
- Attacher la chaudière en enfilant six vis à tête plate type AB #6 ou #8 x 12 mm (trois par côté), ou des vis autotaraudeuses (non fournies), dans le cadran, le bac encastré et les supports de montage affleurants. Enlever l'excès de mastic.

- Fixer la porte avec quatre vis autotaraudeuses #6-19 x 9,5 mm pour le plastique (non fournies). La porte doit affleurer avec le mur du VR.
- Insérer l'unité de ventilation (fournie) dans le trou de la porte, en veillant à ce qu'elle entre dans le tube de la chambre, le texte Dometic étant aligné en HAUT.
- Fixer l'unité de ventilation sur la porte avec quatre vis inox pour échappement (fournies avec la porte).
- Pour fixer la chaudière au sol du VR, passer à "D. Installation des supports de montage" on page 19.

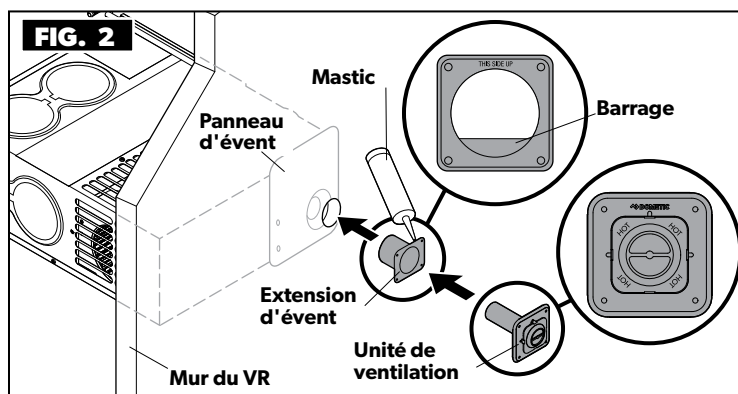
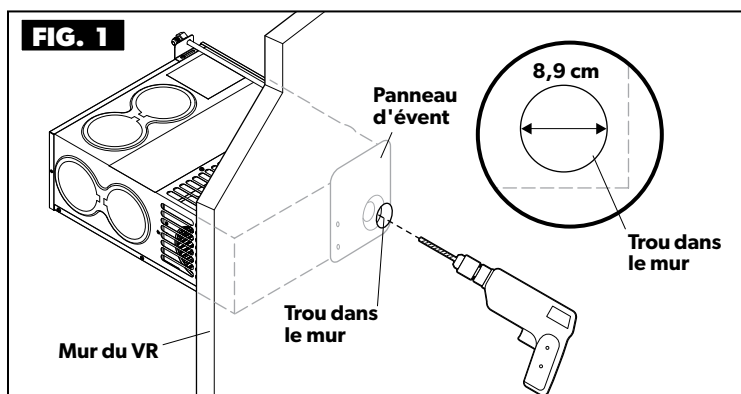
- i** **NE PAS** déformer le cadran durant sa mise en place. Le cadran doit être bien ajusté pour maintenir un joint hermétique.

## C. Installation de la chaudière avec l'option petit événement

**⚠ AVERTISSEMENT** Le non-respect de cet avertissement pourrait entraîner des dégâts matériels, des blessures graves ou la mort :

- **NE PAS** installer d'évents là où tout objet en saillie ou les ouvertures de porte se trouvent à moins de 15,2 cm de l'ouverture de l'évent. Le matériau de la porte, des panneaux ou de la coque du VR risque de se décolorer, se gondoler ou brûler sous l'effet de la température des gaz d'échappement.
- DANGER LIÉ AU MONOXYDE DE CARBONE :
  - Fermer hermétiquement l'unité de ventilation pour empêcher l'entrée de monoxyde de carbone dans le VR. **NE PAS** évacuer l'air d'échappement ni aspirer l'air de combustion à partir de l'espace de vie ou d'un porche fermé.
  - **NE PAS** ventiler la chaudière avec un système de ventilation desservant un autre appareil.

**i** Un accès doit être fourni directement à l'avant de la chaudière à l'intérieur du VR pour sa dépose lors d'une maintenance.



- Localiser l'emplacement de la découpe de l'évent d'échappement de la chaudière.
- Percer un trou de 8,8 cm dans le mur pour l'admission/l'échappement.

**i** L'épaisseur maximum du mur extérieur est de 6,3 cm. **NE PAS** dépasser l'épaisseur de mur maximum. Acheter un ensemble événement (option) pour allonger l'évent jusqu'à une épaisseur de mur de 7,6 cm, si nécessaire.

- Appliquer du mastic RTV ou du ruban de caoutchouc butyle sur la bride arrière de l'extension d'évent avant de fixer au mur.
- Tenir l'extension d'évent avec le texte « THIS SIDE UP » imprimé sur le dessus et le barrage en bas.
- Pousser l'extension d'évent dans le mur jusqu'à ce qu'elle se glisse sur le panneau d'évent.
- Aligner l'unité de ventilation (fournie) sur l'extension d'évent pour que le texte Dometic soit **EN HAUT**.
- Pousser l'unité de ventilation dans le tube de la chambre et attacher avec quatre vis inox pour échappement (non fournies).

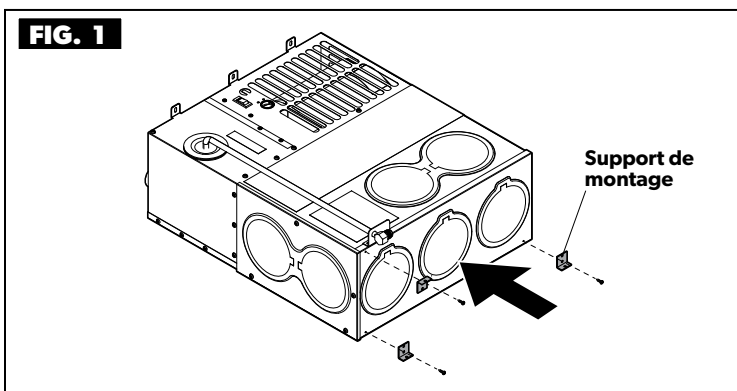
**i** Chevaucher le tube de ventilation et le tube de la chambre de 3,8 cm minimum pour permettre la ventilation correcte des gaz d'échappement.

- Faire les branchements électriques. Voir "H. Branchement électrique" on page 22.
- Raccorder la ligne de gaz au robinet. Voir "F. Raccordement au gaz" on page 20.
- Pousser le panneau d'évent de la chaudière contre le mur du VR.

**i** Le panneau d'évent de la chaudière **DOIT** être plaqué contre le mur du VR avant l'installation des supports de montage.

- Passer à "D. Installation des supports de montage" on page 19.

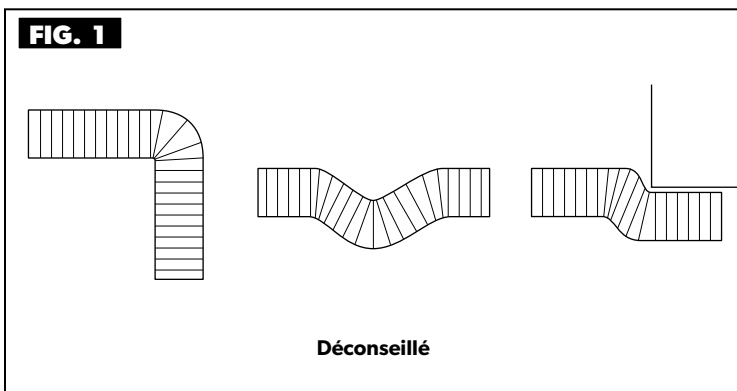
## D. Installation des supports de montage



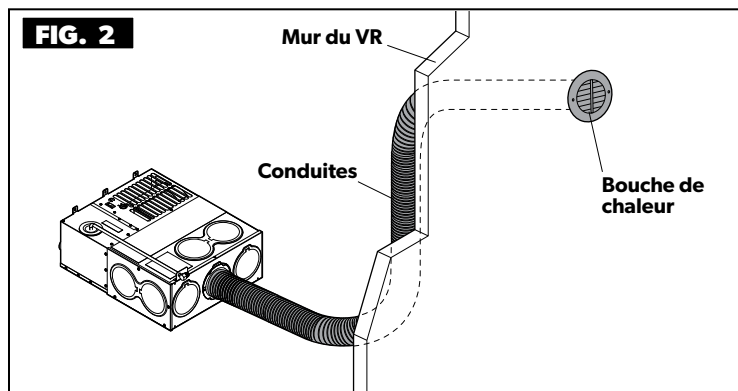
- S'assurer que la surface de montage sur le VR est plane et que la chaudière est de niveau (avant-arrière et d'un côté à l'autre).
- Attacher les deux supports de montage (fournis) au boîtier en plaçant les supports sur deux trous quelconques parmi les trois situés à l'arrière de la chaudière. Fixer avec deux vis #8-18 x 12 mm (fournies).
- Attacher les supports de montage de la chaudière au VR avec des vis (non fournies).

**i** Les supports de montage peuvent être attachés au boîtier de la chaudière en déposant la vis de boîtier présente, **SEULEMENT** avec l'autorisation préalable de Dometic. Lors de la fixation de la chaudière, ne pas oublier qu'elle **DOIT** être accessible et facile à déposer en cas de maintenance.

## E. Mise en place des conduites



- Déplier toutes les conduites et les faire courir directement jusqu'aux sorties. Limiter le nombre d'angles et éviter les plis et fléchissements prononcés et les conduites écrasées, comme illustré.
- Attacher la conduite flexible de 10 cm à l'adaptateur.

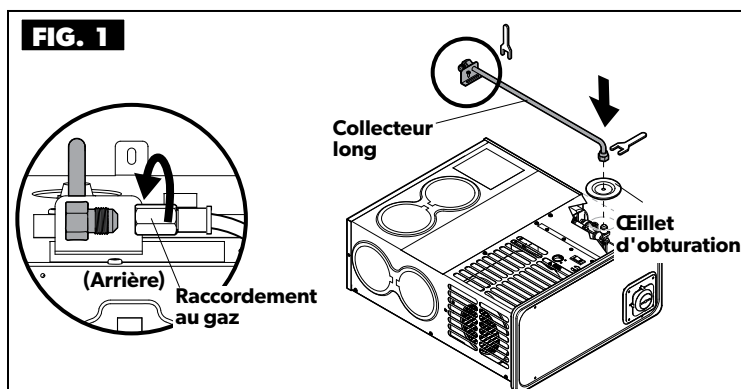


- Faire courir les conduites jusqu'aux endroits souhaités dans le VR.
- Attacher les conduites aux registres d'air.
- i** Si le brûleur s'allume et s'éteint à la limite de haute température, ceci peut être dû à une restriction ou un coude dans une conduite. Ajouter des conduites supplémentaires pour corriger ce problème.
- Régler la chaudière à la montée de température correcte une fois la chaudière et les conduites installées. La chaudière est testée à la montée de température spécifiée sur la plaque signalétique.
- Si le contrôle de la montée de température n'est pas possible, mesurer le débit d'air à chaque registre d'air. Le débit d'air doit être au moins égal aux mesures des tableaux "Exigences de refoulement d'air" on page 11.
- Ajuster l'installation des conduites pour obtenir un débit d'air total à partir de tous les événements de l'espace de vie (en l/min) de la chaudière, comme spécifié dans les tableaux "Exigences de refoulement d'air" on page 11.
- Si les relevés sont inférieurs aux valeurs des tableaux, augmenter le débit d'air en ajoutant des conduites ou en réduisant ou éliminant les restrictions dans le système. Se référer à "Exemples de configuration de refoulement d'air" on page 10.

## F. Raccordement au gaz

**⚠ AVERTISSEMENT** RISQUE DE DÉPART DE FEU OU D'EXPLOSION. Le non-respect des avertissements pourrait entraîner des dégâts matériels, des blessures graves ou la mort :

- Établir les raccordements au gaz conformément aux directives supplémentaires applicables listées dans ce manuel. Voir "C. Directives supplémentaires" on page 2.
- **NE JAMAIS** utiliser de flamme nue pour vérifier les fuites de gaz. Utiliser une solution de savon disponible sur le marché spécialement conçue pour la détection de fuites pour contrôler tous les raccords, comme spécifié dans ces instructions.
- Si l'arrivée de gaz ne se ferme pas ou si une surchauffe se produit, fermer le robinet de gaz de la chaudière avant de couper l'alimentation électrique.
- **NE PAS** mettre de pâte à joints sur les raccords évasés.



**i** Un collecteur long est utilisé dans cet exemple; toutefois, l'utilisation de tubes ou d'autres variantes de raccordement au gaz est acceptable.

- Traiter tous les filets de tuyau mâles, autres que des raccords évasés, avec de la pâte à joints résistant à une réaction chimique avec du gaz PL.
- Enlever l'œillet d'obturation de la chaudière et l'installer sur la ligne de gaz.
- Insérer la ligne de gaz dans le trou en haut du boîtier.
- Attacher la ligne de gaz au raccord du robinet. Si la chaudière est livrée avec un collecteur long, raccorder la ligne de gaz à l'arrière de la chaudière.
- Réinstaller l'œillet d'obturation sur le boîtier, car c'est un dispositif hermétique requis. **NE PAS COUPER.**
- Utiliser deux clés pour immobiliser le robinet et l'écrou évasé, et serrer l'écrou évasé sur la ligne de gaz.
- Serrer le raccord à 27-29,8 Nm. **NE PAS** tourner le robinet en serrant la ligne de gaz.

**i** Pour les modèles DFLA35 et DFLA40 seulement, un ensemble de conversion de gaz est fourni avec la chaudière. Pour convertir le type de gaz de chaudière, passer à "G. Conversion du type de gaz de chaudière" on page 21.

## Test de pression de gaz PL

**i** Lire **AVANT** de continuer :

- Tester toutes les tuyauteries **AVANT** de raccorder la chaudière.
- Déconnecter la chaudière et tout robinet d'arrêt individuel de la tuyauterie d'arrivée de gaz lors de tests de pression du système à des pressions supérieures à 34 kPa.
- Si les codes locaux autorisent l'utilisation d'un connecteur d'appareil au gaz flexible, **NE PAS** utiliser de connecteur qui a été précédemment utilisé pour un autre appareil au gaz.
- Pour les conversions de gaz seulement, un bouchon NPT 1/8 po est fourni en amont des raccordements pour vérifier la pression de gaz.
- Effectuer un test de pression d'air sur la tuyauterie. Le test doit maintenir une pression d'air de 15 cm de mercure ou 20,6 kPa minimum pendant au moins 10 minutes.
- Ajuster la tuyauterie pour maintenir la pression minimum d'arrivée de gaz indiquée sur la plaque signalétique, une fois tous les appareils en marche.
- Tester l'étanchéité des raccordements au gaz avec une solution de savon disponible sur le marché spécialement conçue pour la détection de fuites.



# INSTALLATION

## G. Conversion du type de gaz de chaudière

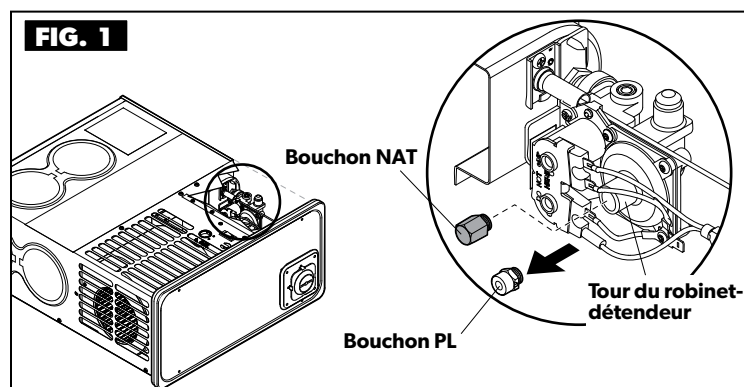
**AVIS** Cette section s'applique aux modèles DFLA35 et DFLA40 seulement. Ces modèles sont configurés pour le gaz PL à l'usine, mais ils peuvent être convertis au gaz naturel. Un ensemble de conversion au gaz naturel est inclus.

**AVERTISSEMENT** Toute conversion au gaz naturel doit se conformer aux codes locaux ou, en l'absence de codes locaux, au Code national sur les gaz combustibles, ANSI Z223.1/NFPA 54 Code d'installation du gaz naturel et du propane, outre la Norme pour les véhicules récréatifs NFPA1192 et le Code sur les véhicules récréatifs CSA Z240 RV Series.

### Changement de bouchon de réglage de détendeur

**i** Lire ce qui suit **AVANT** de continuer :

- Le robinet convertible est réglé à une pression de 8,9 cm pour le gaz naturel (NAT) et 26,6 cm pour le gaz PL. Ces réglages ne sont pas modifiables.
- NE PAS** modifier le bouchon de réglage du détendeur ni l'utiliser avec tout autre robinet.



- Dévisser le bouchon de réglage du détendeur et l'enlever de la tour du robinet-détendeur. **NE PAS** enlever la tige de l'intérieur de la tour du détendeur ni effectuer de réglages.
- Placer le bouchon NAT ou PL approprié pour la conversion sur la tour du robinet-détendeur.
- Serrer le bouchon du détendeur de réglage, à la main ou avec une petite clé. **NE PAS** trop serrer le bouchon du détendeur de réglage.
- Installer l'orifice du brûleur principal. Voir "Tableau des spécifications de conversion" pour en savoir plus sur la conversion au PL ou NAT.

### Tableau des spécifications de conversion

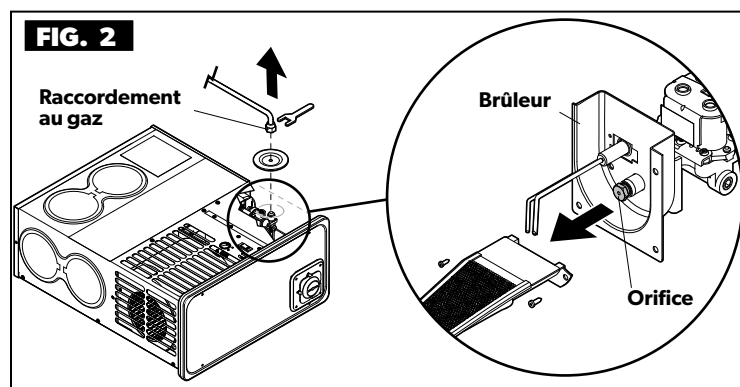
TYPE DE GAZ	BTU/H	PRESSIION DE LIGNE	RÉGLAGE DU ROBINET DU DÉTENDEUR	TAILLE DE MÈCHE
Propane (PL)	40 000	28 cm C.E.	26,6 cm C.E.	49P
Naturel (NAT)	40 000	17,7 cm C.E.	8,9 cm C.E.	#30
Propane (PL)	35 000	28 cm C.E.	26,6 cm C.E.	#51
Naturel (NAT)	35 000	17,7 cm C.E.	8,9 cm C.E.	#30

C.E. = colonne d'eau

### Remplacement de l'orifice

**i** Lire ce qui suit **AVANT** de continuer :

- Chaque chaudière est fournie avec deux orifices de brûleur principal. Un est installé sur le collecteur, l'autre est attaché au couvercle du boîtier de la soufflerie.
- Le type de gaz utilisé doit correspondre au bouchon de réglage du détendeur et à l'orifice installé dans la chaudière.



- Déconnecter la ligne de gaz du robinet.
- Déposer les trois vis qui fixent le brûleur sur le mur arrière du boîtier de commande.
- Déposer les deux vis qui fixent le brûleur sur le collecteur.
- Dévisser l'orifice avec une clé ou une douille 11 mm.
- Se référer au "Tableau des spécifications de conversion" pour sélectionner l'orifice correct nécessaire pour le type de gaz.
- Installer le nouvel orifice.
- Inverser les étapes 1 à 3 pour réinstaller le brûleur, son ensemble et la ligne de gaz.
- Tester l'étanchéité des raccords au gaz avec une solution de savon disponible sur le marché spécialement conçue pour la détection de fuites.
- Coller l'étiquette « converti » (fournie) à un endroit visible, à côté de l'étiquette de numéro de modèle.

# INSTALLATION

## H. Branchement électrique

**⚠ AVERTISSEMENT** Le non-respect des avertissements pourrait entraîner des dégâts matériels, des blessures graves ou la mort :

• **RISQUE DE DÉCHARGE ÉLECTRIQUE :**

- La chaudière doit être électriquement mise à la terre, conformément aux codes locaux ou, en l'absence de tels codes, au Code national de l'électricité, à l'ANSI/NFPA 70 et/ou au Code canadien de l'électricité, CSA C22.1, Partie 1, si une source électrique externe est utilisée.
- La chaudière **DOIT** être installée de sorte à protéger les composants électriques de l'eau et d'autres débris d'installation.
- Si le modèle de chaudière a été conçu pour fonctionner sur du 12 V c.c. à masse négative seulement, **NE PAS** essayer d'altérer la chaudière pour un système à masse positive ou de brancher une chaudière de 12 V c.c. sur du 120 ou du 240 V c.a. Les chaudières avec une fiche 12 V (c.c.) sont destinées à une batterie basse tension ou du courant continu seulement.
- **NE PAS** faire d'essai diélectrique sur la chaudière, sauf si le système d'allumage électronique (carte de circuits) a été débranché.
- **NE PAS** utiliser de chargeur de batterie pour alimenter des chaudières c.c., même lors de tests.
- **NE PAS** utiliser de 120 V c.a. avec les modèles V c.c. **NE PAS** utiliser de 12 V c.c. avec les modèles 120 V c.a.
- L'allumage par étincelle à haute tension directe de la chaudière génère une radiofréquence susceptible de causer des interférences avec d'autres appareils à base de microprocesseurs. Placer tout appareil à 1,5 m minimum de la chaudière.

### Protection contre les surintensités (pas de restrictions sur les faisceaux de câbles)

CALIBRE DE FIL	INTENSITÉ ADMISSIBLE	TYPE DE FIL
20	3	Multibrin seulement
18	6	Multibrin seulement
16	8	Multibrin seulement
14	15	Multibrin seulement
12	20	Multibrin seulement
10	30	Multibrin seulement
8	40	Multibrin seulement
6	55	Multibrin seulement
4	75	Multibrin seulement
2	100	Multibrin seulement

### Informations de câblage

- Pour acheminer le câblage à la chaudière, se référer à "Diagrammes de câblage" on page 23.
- Utiliser le fil de plus petit calibre dans le tableau pour minimiser la chute de tension.
- Si l'alimentation provient d'un convertisseur équipé d'une prise de charge, brancher le convertisseur à la chaudière en même temps que la batterie.
- Si une chaudière est fournie avec un bloc de connexion sur les connexions faites sur place, utiliser les pièces d'accouplement.
- Toutes les chaudières ont un interrupteur de marche/arrêt pour leur mise hors tension en cas de maintenance. Confirmer que l'interrupteur est en position Marche.

### Informations additionnelles pour un câblage V c.a. seulement

- Les chaudières équipées d'un moteur 120 V c.a. puisent leur alimentation auprès d'un transformateur 24 V c.a. à l'intérieur de la chaudière pour alimenter les composants électriques.
- L'interrupteur de marche/arrêt pour les chaudières V c.a. se situe dans le chemin du circuit du robinet seulement.
- Utiliser au minimum de fil de calibre 18 GA pour acheminer les fils 120 V c.a. et les fils du thermostat jusqu'aux fils situés à gauche du boîtier de commande.

### Protection contre les surintensités

TAILLE DE CONDUCTEUR AWG OU SAE	INTENSITÉ ADMISSIBLE MAXIMUM À LA TEMPÉRATURE NOMINALE D'ISOLEMENT DU CONDUCTEUR DE 90 °C	INTENSITÉ ADMISSIBLE MAXIMUM À LA TEMPÉRATURE NOMINALE D'ISOLEMENT DU CONDUCTEUR DE 105/125 °C
20*	5	7,5
18*	7,5	10
16*	10	15
14*	17,5	20
12*	22,5	25
10**	40	50
8**	55	70
6**	75	100
4**	95	120
2**	3 681	4 247
1**	4 247	-
1/0**	170	-
2/0**	195	-
3/0**	6 371	-
4/0**	260	-

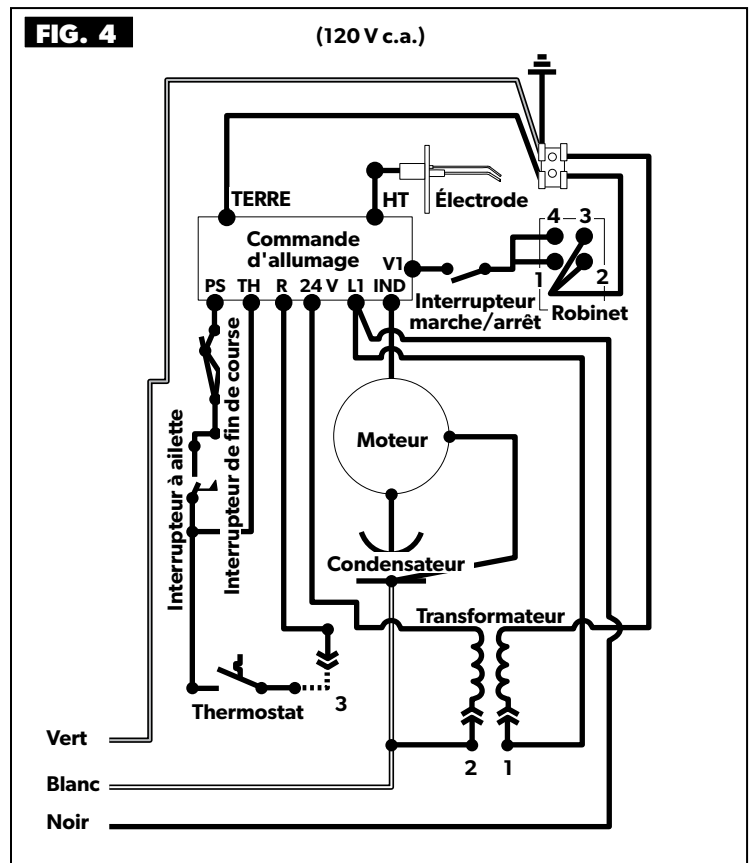
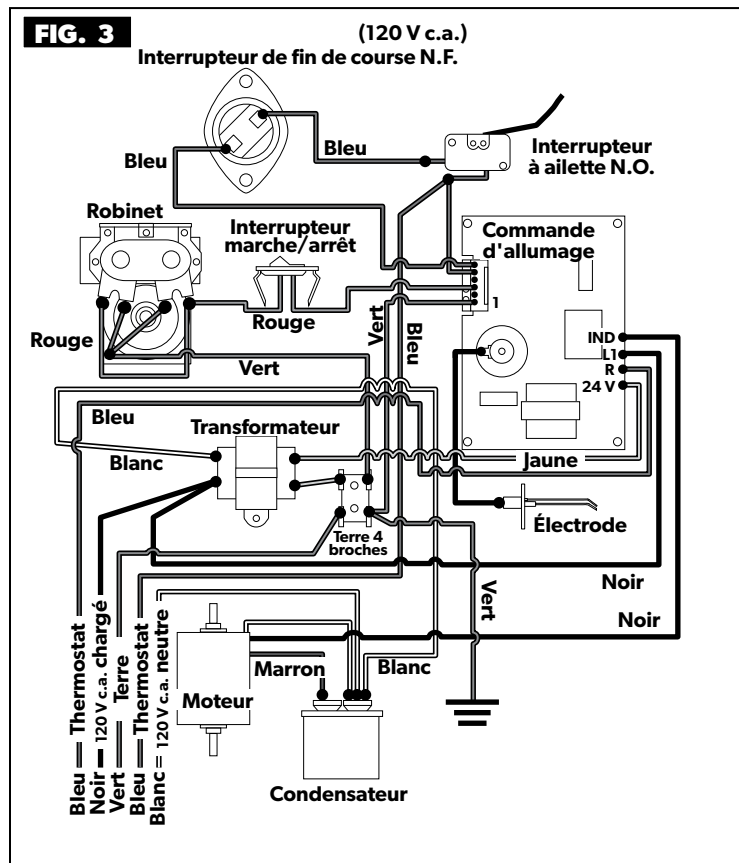
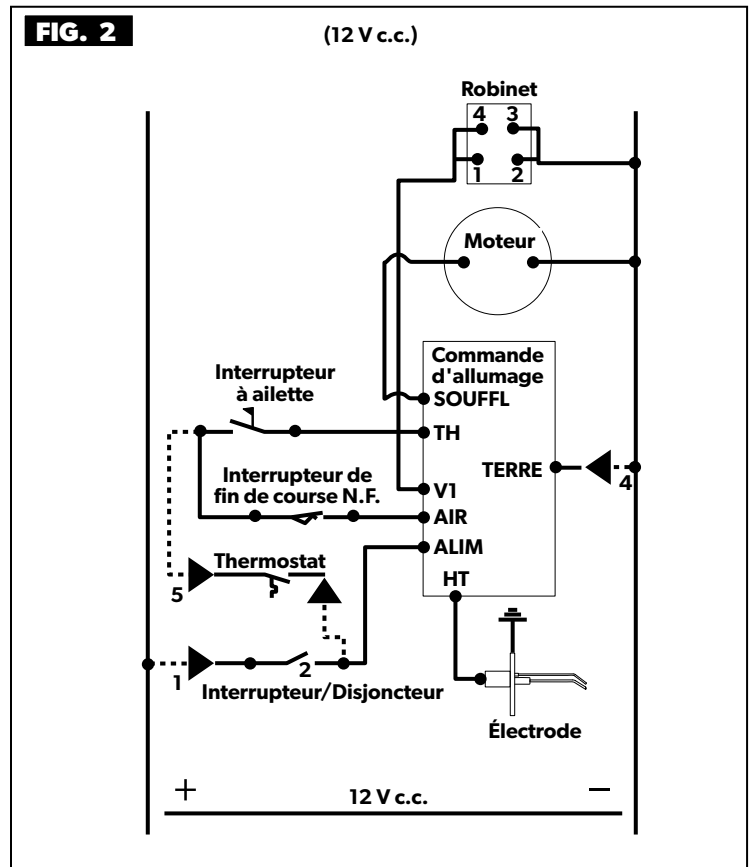
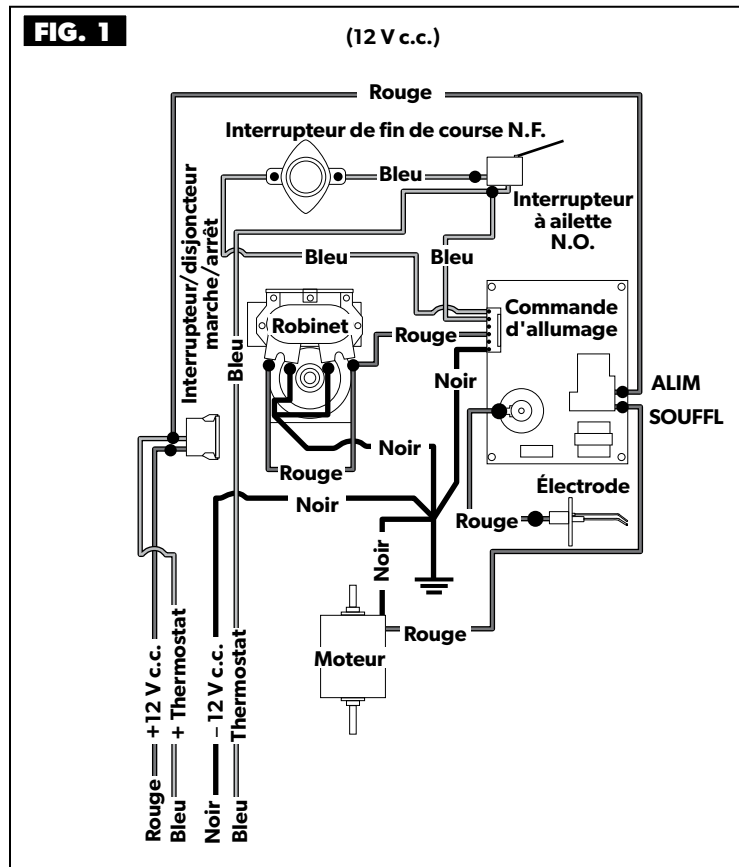
\*Pas plus de 7 fils par faisceau; \*\*Pas plus de 3 fils par faisceau



Un coupe-circuit de 15 A est fourni avec les modèles de chaudière DFMD35, DFLD35 et DFLD40. Installer le coupe-circuit à l'intérieur du tableau de fusible principal au lieu d'un fusible normal pour le VR. Placer le coupe-circuit dans le « Circuit de chaudière seulement ».

# INSTALLATION

## Diagrammes de câblage



# INSTALLATION

## I. Installation du thermostat

**⚠ AVERTISSEMENT NE PAS** installer le thermostat à un endroit où il y a d'autres charges chauffantes, comme la lumière directe du soleil, des appareils dégagant de la chaleur (télévision, radio, applique, etc.), une chaudière ou des registres de sortie de climatisation. Respecter ces instructions, sinon il y aurait risque de blessures graves ou de mort.

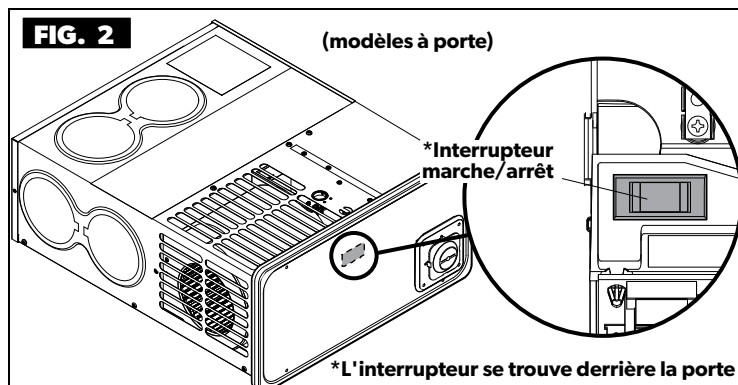
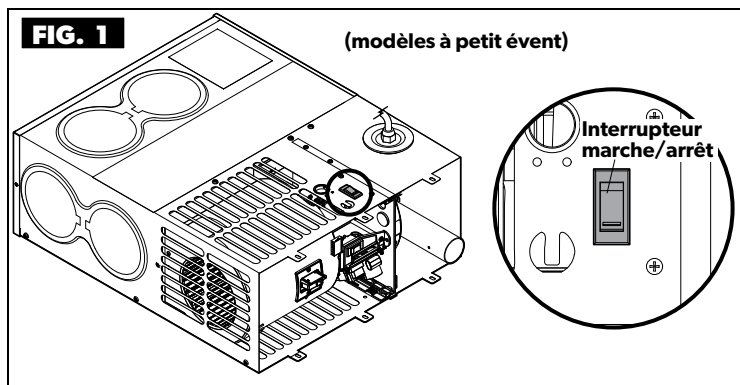
**i** Lire **AVANT** de continuer :

- Câbler le thermostat avec un fil multibrin de 22 AWG minimum.
- Acheter un thermostat prévu pour 12 V c.c. ou 24 V c.a., 1 A minimum (valeur nominale).
- Couper toute l'alimentation électrique de la chaudière.
- Localiser une zone sèche loin des bouches de chaleur et avec une bonne circulation d'air pour l'installation du thermostat.
  - Placer le thermostat à 122-137 cm au-dessus de l'étage d'espace de vie principal, sur un mur **INTÉRIEUR**, si possible.
  - Utiliser un espaceur de 1,9 cm entre le thermostat et le mur, pour une détection d'air ambiant correcte en cas de placement sur un mur **EXTÉRIEUR**.
- Suivre les instructions d'installation du fabricant fournies avec le thermostat.

## TESTS

### A. Test de la chaudière

**⚠ AVERTISSEMENT NE PAS** faire fonctionner la chaudière lorsque le véhicule est en mouvement ou remorqué.



### Test du fonctionnement

1. Tourner le robinet manuel (le cas échéant) ou le robinet à la bonbonne de PL extérieure en position fermée. **NE PAS** forcer.
- i** Cette chaudière est équipée d'un interrupteur de marche/arrêt. Le gaz n'atteindra pas le brûleur et la chaudière ne fonctionnera pas avec l'interrupteur de marche/arrêt en position Arrêt.
2. Tourner l'interrupteur de marche/arrêt sur la position Marche.
- i** Cette chaudière est équipée d'un dispositif d'allumage qui allume automatiquement le brûleur. **NE PAS** allumer manuellement le brûleur.
3. Régler le thermostat à une température supérieure à la température ambiante pour démarrer la soufflerie. La soufflerie démarre avec un léger retard.
4. Laisser fonctionner la soufflerie pendant 15 secondes pour effectuer le cycle de purge de la chambre de combustion.
  - Si la soufflerie ne s'allume pas ou s'arrête avant le cycle d'allumage, arrêter la chaudière et contacter votre concessionnaire ou un réparateur de VR local.
5. Abaisser la manette du thermostat en dessous de la température ambiante.
6. Attendre 90 secondes environ que la soufflerie s'arrête.
7. Ouvrir le robinet d'arrêt manuel (le cas échéant) ou le robinet de la bonbonne de PL. Le fonctionnement correct de la chaudière dépend de l'ouverture du robinet à fond. Ne jamais tenter de faire fonctionner avec un robinet partiellement fermé.
8. Tourner l'interrupteur de marche/arrêt sur la position Marche.
9. Régler la manette du thermostat à la température souhaitée. S'il est réglé à une température supérieure à la température ambiante, la soufflerie se met en marche.
10. Attendre 15 secondes que le brûleur principal s'allume après le démarrage de la soufflerie.
  - Si le brûleur ne s'allume pas, confirmer que l'arrivée de gaz est ouverte et répéter les étapes en réarmant le thermostat pour purger tout l'air du circuit de gaz.
  - Si le brûleur ne s'allume pas après trois tentatives, arrêter la chaudière et contacter le concessionnaire ou un réparateur local de véhicules récréatifs. **NE PAS** continuer à activer/désactiver la chaudière via le thermostat pour tenter de l'allumer.

### Arrêt de la chaudière

1. Régler le thermostat à la valeur la plus basse, puis mettre en position Arrêt.
2. Tourner le robinet d'arrêt manuel à la bonbonne de PL (le cas échéant) en position fermée. **NE PAS** forcer pour fermer le robinet.
3. Au panneau d'accès extérieur, tourner l'interrupteur du robinet sur la position Arrêt.

# DIAGNOSTICS

## A. Codes de diagnostic de commande d'allumage

- Le tableau suivant présente les codes de diagnostic affichés par la commande d'allumage en présence d'erreurs. Un voyant, situé au centre de la carte de commande, fait clignoter les codes indiqués dans le tableau des diagnostics. Trois tentatives sont la norme pour les commandes d'allumage.
  - Un « verrouillage logiciel » est un état minuté qui effectuera des tentatives additionnelles pour corriger le problème.
  - Un « verrouillage matériel » exige le réarmement du thermostat ou le positionnement de l'interrupteur de marche/arrêt sur Arrêt, puis à nouveau sur Marche.

TABLEAU DES DIAGNOSTICS

ERREUR	COMPORTEMENT DU VOYANT	VERROUILLAGE
Défaillance de carte de circuits interne	Allumage continu, pas de clignotement	Matériel
Problèmes d'interrupteur de fin de course/débit d'air	1 clignotement avec pause de 3 secondes	Logiciel
Erreur de détection de flamme	2 clignotements avec pause de 3 secondes	Matériel
Erreur de verrouillage de l'allumage	3 clignotements avec pause de 3 secondes	Logiciel (nouvelle tentative après 1 heure)

# DÉPANNAGE

PROBLÈME	SOLUTION
La chaudière ne s'allume pas – <b>La soufflerie ne se met pas en marche.</b>	<ol style="list-style-type: none"><li>Vérifier si un fusible n'est pas grillé sur le tableau des fusibles principal.</li><li>Le coupe-circuit installé sur la chaudière s'est peut-être déclenché – Contacter un réparateur de VR agréé.</li><li>La tension d'alimentation 12 V c.c. est basse; vérifier la tension du système du VR.</li><li>La chaudière est peut-être verrouillée. Réarmer la chaudière en mettant le thermostat sur Arrêt pendant 10 secondes, puis en le remettant sur Marche. Si de l'air se trouve dans la ligne de propane, répéter la procédure trois fois maximum.</li><li>Vérifier l'admission et les événements pour s'assurer qu'ils ne sont pas bouchés ou obstrués.</li></ol>
La chaudière ne s'allume pas – <b>La soufflerie se met en marche.</b>	<ol style="list-style-type: none"><li>De l'air se trouve dans la ligne de propane. Purger l'air en allumant d'autres appareils (comme une plaque de cuisson) en aval de la bonbonne de propane.</li><li>Le thermostat n'est pas réglé sur Heat (Chaleur) ou à une température suffisamment élevée. Régler le thermostat.</li></ol>
La chaudière s'arrête avant d'atteindre la température souhaitée.	<ol style="list-style-type: none"><li>S'assurer que tous les événements sont ouverts et non couverts.</li><li>Vérifier l'admission d'air pour s'assurer qu'elle n'est pas bouchée ou obstruée.</li></ol>

# PIÈCES DE RECHANGE

**⚠ AVERTISSEMENT** RISQUE DE DÉCHARGE ÉLECTRIQUE, DE DÉPART DE FEU, D'EXPLOSION ET/OU DANGER LIÉ AU MONOXYDE DE CARBONE. Utiliser uniquement des pièces de rechange et composants Dometic, qui sont spécifiquement approuvés pour une utilisation avec la chaudière. Le non-respect de cet avertissement pourrait entraîner un fonctionnement dangereux, des dégâts matériels, des blessures graves ou la mort :

- Pour des informations sur les pièces de rechange, voir la liste des pièces des chaudières série DF. Pour les toutes dernières informations, visiter [www.eDometic.com](http://www.eDometic.com).